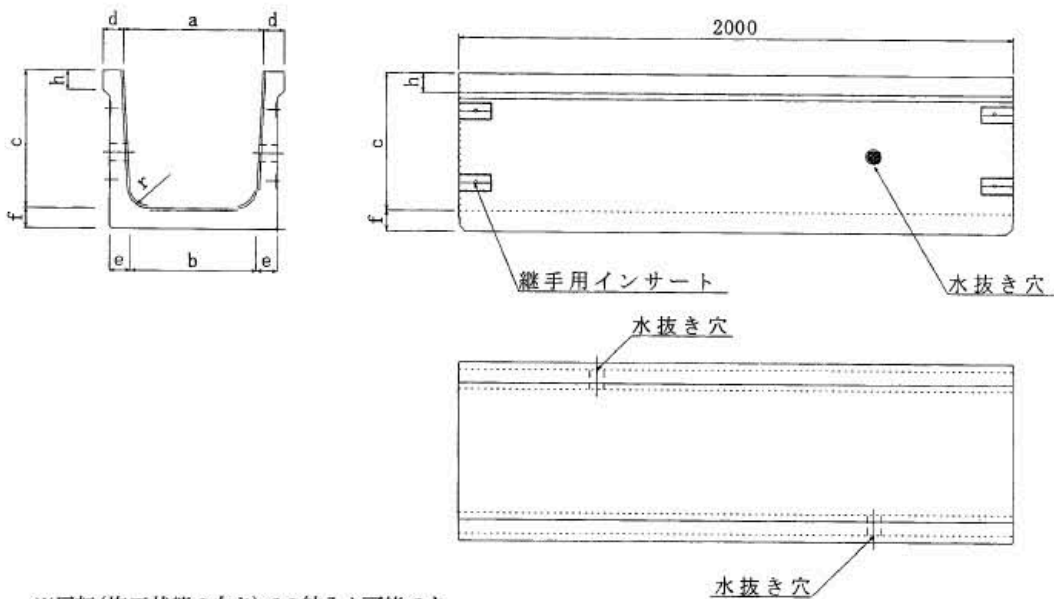


●水路用製品

浮力対応型フリューム	180
ジョイントフリューム	183
ジョイントフリューム用分水	185
ジョイントフリューム用ふた	186
ジョイントL形フリューム	187
ジョイントカルバート	188
ソケットフリューム	189
ソケットフリューム用分水	192
ソケットL形フリューム	192
鉄筋コンクリートベンチフリューム	193
鉄筋コンクリートベンチフリューム用ふた	193
鉄筋コンクリートベンチフリューム用分水	194
畦畔ブロック	195
排水堰	195
合流ボックス	195

浮力対応型フリューム

NUJ工法



※反転(施工状態の向き)での納入も可能です。

浮力対応型フリューム																
呼び名 幅(a)×深さ(c)	寸法(mm)								参考質量 (kg)	価格(円)						
	a	b	c	d	e	f	h	r		排水路	用水路					
300 × 300	300	260	300	60	60	60	50	50	263	20,500	24,700					
300 × 400	300	250	400	60	65	65	50	50	328	23,600	27,600					
400 × 400	400	350				65			357	25,200	29,200					
500 × 400	500	450				65			384	27,200	31,200					
600 × 400	600	550				65			422	29,100	33,100					
700 × 400	700	650				65			446	31,600	35,600					
800 × 400	800	750				75			521	34,400	38,400					
450 × 450	450	410	450	65	65	65	50	50	431	30,300	34,400					
300 × 500	300	250	500	75	75	75	70	70	464	31,600	35,600					
400 × 500	400	350				75			498	33,500	37,500					
500 × 500	500	450				75			539	34,800	38,900					
600 × 500	600	550				75			568	37,200	41,200					
700 × 500	700	650				75			605	39,100	43,200					
800 × 500	800	750				75			638	41,500	45,500					
900 × 500	900	850				75			675	43,800	48,000					
1,000 × 500	1,000	950				85			765	50,500	54,500					
500 × 600	500	450	600	85	85	85	70	70	689	44,700	48,800					
600 × 600	600	550				85			727	46,200	50,200					
700 × 600	700	650				85			765	48,900	52,900					
800 × 600	800	750				85			807	51,400	55,400					
900 × 600	900	850				85			849	54,100	58,100					
1,000 × 600	1,000	950				85			882	58,000	62,000					
1,100 × 600	1,100	1,050				95			990	63,200	67,200					
1,200 × 600	1,200	1,150				115			1,154	69,100	73,200					
700 × 700	700	640				700			100	100	100	80	80	994	63,200	67,200
800 × 700	800	740									100			1,041	66,200	70,300
900 × 700	900	840	100	1,089	69,200		73,400									
1,000 × 700	1,000	940	100	1,131	72,400		76,400									
1,100 × 700	1,100	1,040	100	1,182	75,400		79,500									
1,200 × 700	1,200	1,140	110	1,290	77,000		81,100									
1,300 × 700	1,300	1,240	120	1,412	83,800		87,800									
1,400 × 700	1,400	1,340	130	1,539	93,800		97,800									

浮力対応型フリューム																
呼び名 幅(a)×深さ(c)	寸法(mm)								参考質量 (kg)	価格(円)						
	a	b	c	d	e	f	h	r		排水路	用水路					
700 × 800	700	640	800	105	100	100	80	80	1,074	69,000	73,100					
800 × 800	800	740				100			1,121	73,000	77,000					
900 × 800	900	840				100			1,163	76,800	80,800					
1,000 × 800	1,000	940				100			1,210	80,700	84,800					
1,100 × 800	1,100	1,040				100			1,261	84,500	88,700					
1,200 × 800	1,200	1,140				120			1,426	88,500	92,500					
1,300 × 800	1,300	1,240				140			1,613	92,400	96,500					
1,400 × 800	1,400	1,340				150			1,764	96,200	100,300					
1,500 × 800	1,500	1,440				160			1,905	100,200	104,200					
1,600 × 800	1,600	1,540				170			2,059	104,100	108,200					
1,700 × 800	1,700	1,640				180			2,233	108,000	112,100					
1,800 × 800	1,800	1,740				190			2,401	112,000	116,000					
900 × 900	900	820	900	110	110	110	80	80	1,337	89,700	93,800					
1,000 × 900	1,000	920				110			1,398	93,600	97,700					
1,100 × 900	1,100	1,020				110			1,449	97,600	101,600					
1,200 × 900	1,200	1,120				110			1,501	101,500	105,600					
1,300 × 900	1,300	1,220				130			1,689	105,500	109,500					
1,400 × 900	1,400	1,320				150			1,890	109,200	113,200					
1,500 × 900	1,500	1,420				160			2,031	113,100	117,200					
1,600 × 900	1,600	1,520				180			2,280	117,000	121,000					
1,700 × 900	1,700	1,620				190			2,444	120,000	124,000					
1,800 × 900	1,800	1,720				200			2,627	124,000	128,000					
900 × 1,000	900	820				1,000			120	120	120	100	100	1,595	103,800	107,800
1,000 × 1,000	1,000	920									120			1,651	107,000	111,100
1,100 × 1,000	1,100	1,020	120	1,712	110,300		114,300									
1,200 × 1,000	1,200	1,120	120	1,764	113,600		117,000									
1,300 × 1,000	1,300	1,220	120	1,820	116,800		120,000									
1,400 × 1,000	1,400	1,320	140	2,022	120,000		123,000									
1,500 × 1,000	1,500	1,420	160	2,237	122,000		127,000									
1,600 × 1,000	1,600	1,520	170	2,406	125,000		130,000									
1,700 × 1,000	1,700	1,620	190	2,655	129,000		132,000									
1,800 × 1,000	1,800	1,720	200	2,838	132,000		136,000									
1,900 × 1,000	1,900	1,820	210	3,020	135,000		140,000									
2,000 × 1,000	2,000	1,920	220	3,227	138,000		143,000									
1,000 × 1,100	1,000	910	1,100	140	140	140	100	100	2,055	132,000	136,000					
1,100 × 1,100	1,100	1,010				140			2,120	134,000	138,000					
1,200 × 1,100	1,200	1,110				140			2,190	136,000	141,000					
1,300 × 1,100	1,300	1,210				140			2,251	138,000	142,000					
1,400 × 1,100	1,400	1,310				140			2,322	141,000	144,000					
1,500 × 1,100	1,500	1,410				140			2,383	143,000	147,000					
1,600 × 1,100	1,600	1,510				150			2,528	144,000	149,000					
1,700 × 1,100	1,700	1,610				170			2,782	147,000	151,000					
1,800 × 1,100	1,800	1,710				180			2,950	149,000	152,000					
1,900 × 1,100	1,900	1,810				200			3,236	151,000	155,000					
2,000 × 1,100	2,000	1,910				210			3,433	154,000	157,000					
1,000 × 1,200	1,000	900				1,200			150	150	150	100	100	2,331	135,000	140,000
1,100 × 1,200	1,100	1,000	150	2,397	138,000		143,000									
1,200 × 1,200	1,200	1,100	150	2,472	142,000		145,000									
1,300 × 1,200	1,300	1,200	150	2,538	145,000		149,000									
1,400 × 1,200	1,400	1,300	150	2,612	148,000		152,000									
1,500 × 1,200	1,500	1,400	150	2,683	151,000		156,000									
1,600 × 1,200	1,600	1,500	150	2,749	155,000		158,000									
1,700 × 1,200	1,700	1,600	160	2,908	158,000		162,000									
1,800 × 1,200	1,800	1,700	180	3,166	162,000		165,000									
1,900 × 1,200	1,900	1,800	190	3,359	164,000		169,000									
2,000 × 1,200	2,000	1,900	210	3,654	168,000		171,000									

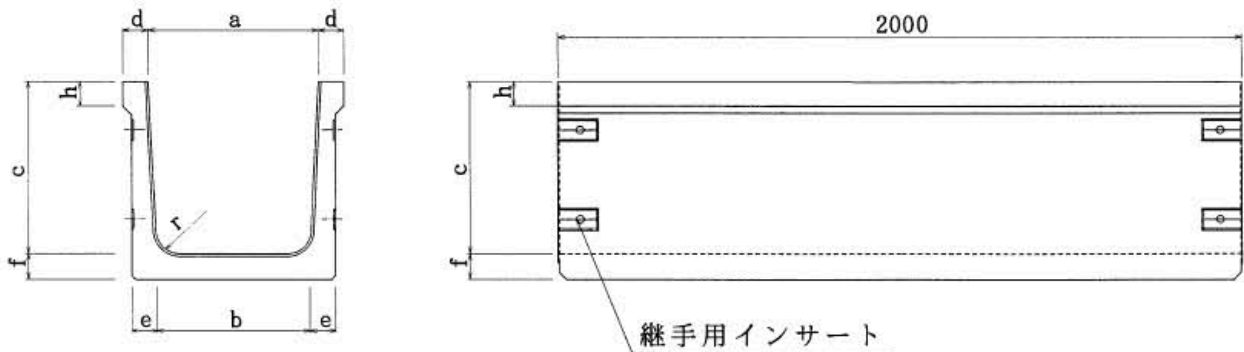
浮力対応型フリューム											
呼び名 幅(a)×深さ(c)	寸法(mm)								参考質量 (kg)	価格(円)	
	a	b	c	d	e	f	h	r		排水路	用水路
1,000 × 1,300	1,000	890	1,300	150	150	150	100	100	2,406	147,000	151,000
1,100 × 1,300	1,100	990				150			2,472	150,000	155,000
1,200 × 1,300	1,200	1,090				150			2,547	154,000	158,000
1,300 × 1,300	1,300	1,190				150			2,618	157,000	162,000
1,400 × 1,300	1,400	1,290				150			2,688	161,000	165,000
1,500 × 1,300	1,500	1,390				150			2,758	164,000	169,000
1,600 × 1,300	1,600	1,490				150			2,823	168,000	172,000
1,700 × 1,300	1,700	1,590				170			3,077	171,000	176,000
1,800 × 1,300	1,800	1,690				190			3,345	175,000	180,000
1,900 × 1,300	1,900	1,790				210			3,621	178,000	183,000
2,000 × 1,300	2,000	1,890	230	3,926	182,000	187,000					
1,000 × 1,400	1,000	870	1,400	155	155	155	100	100	2,556	156,000	161,000
1,100 × 1,400	1,100	970				155			2,632	160,000	164,000
1,200 × 1,400	1,200	1,070				155			2,702	164,000	168,000
1,300 × 1,400	1,300	1,170				155			2,777	168,000	171,000
1,400 × 1,400	1,400	1,270				155			2,847	171,000	175,000
1,500 × 1,400	1,500	1,370				155			2,922	175,000	180,000
1,600 × 1,400	1,600	1,470				155			2,993	178,000	183,000
1,700 × 1,400	1,700	1,570				175			3,236	183,000	187,000
1,800 × 1,400	1,800	1,670				195			3,504	187,000	190,000
1,900 × 1,400	1,900	1,770				215			3,794	190,000	194,000
2,000 × 1,400	2,000	1,870	235	4,095	194,000	198,000					
1,000 × 1,500	1,000	860	1,500	160	160	160	100	100	2,749	164,000	169,000
1,100 × 1,500	1,100	960				160			2,829	169,000	172,000
1,200 × 1,500	1,200	1,060				160			2,899	174,000	177,000
1,300 × 1,500	1,300	1,160				160			2,978	177,000	182,000
1,400 × 1,500	1,400	1,260				160			3,049	182,000	187,000
1,500 × 1,500	1,500	1,360				160			3,128	187,000	190,000
1,600 × 1,500	1,600	1,460				160			3,199	191,000	195,000
1,700 × 1,500	1,700	1,560				170			3,363	195,000	200,000
1,800 × 1,500	1,800	1,660				200			3,720	200,000	203,000
1,900 × 1,500	1,900	1,760				220			4,005	204,000	208,000
2,000 × 1,500	2,000	1,860	240	4,315	209,000	212,000					

※排水路…連結無し、50φ穴2箇所、NKフィルター50F 2個付

※用水路…連結有り、50φ穴2箇所、NKフィルター50F 2個付、ウィーブホール 2個付

ジョイントフリーム (JF)

NUJ工法



※反転(施工状態の向き)での納入も可能です。

ジョイントフリーム (JF) 連結式フリーム

呼び名	幅 (a) × 深さ (c)	寸法 (mm)										参考質量 (kg)	価格 (円)
		a	b	c	d	e	f	g	h	r			
JF	300 × 300	300	260	300	60	60	60	380	50	50		263	16,500
	300 × 400	300	250					380				328	19,500
	400 × 400	400	350					480				357	21,100
	500 × 400	500	450	400	60	65	65	580	50	50		384	31,100
	600 × 400	600	550					680			422	32,800	
	700 × 400	700	650					780			446	34,400	
	800 × 400	800	750					880			478	36,100	
JF	450 × 450	450	410	450	65	65	65	540	50	70		431	26,300
JF	300 × 500	300	250					400				464	27,500
	400 × 500	400	350					500				498	31,100
	500 × 500	500	450	500	75	75	75	600	70	70		539	33,500
	600 × 500	600	550					700			568	35,700	
	700 × 500	700	650					800			605	37,600	
	800 × 500	800	750					900			638	40,000	
	900 × 500	900	850					1,000			675	42,000	
	1,000 × 500	1,000	950					1,100			709	44,200	
JF	500 × 600	500	450					620				689	40,700
	600 × 600	600	550	600	85	85	85	720	70	70		727	41,200
	700 × 600	700	650					820			765	44,000	
	800 × 600	800	750					920			807	46,400	
	900 × 600	900	850					1,020			849	48,900	
	1,000 × 600	1,000	950					1,120			882	51,500	
	1,100 × 600	1,100	1,050					1,220			929	53,500	
	1,200 × 600	1,200	1,150					1,320			967	55,600	
JF	700 × 700	700	640										
	800 × 700	800	740	700	100	100	100	940	80	80		1,041	58,300
	900 × 700	900	840					1,040			1,089	61,100	
	1,000 × 700	1,000	940					1,140			1,131	64,100	
	1,100 × 700	1,100	1,040					1,240			1,182	66,100	
	1,200 × 700	1,200	1,140					1,340			1,225	69,100	
	1,300 × 700	1,300	1,240					1,440			1,272	72,400	
	1,400 × 700	1,400	1,340					1,540			1,323	74,900	
JF	700 × 800	700	640										
	800 × 800	800	740	800	105	100	100	940	80	80		1,121	65,200
	900 × 800	900	840					1,040			1,163	67,700	
	1,000 × 800	1,000	940					1,140			1,210	70,800	
	1,100 × 800	1,100	1,040					1,240			1,261	73,700	

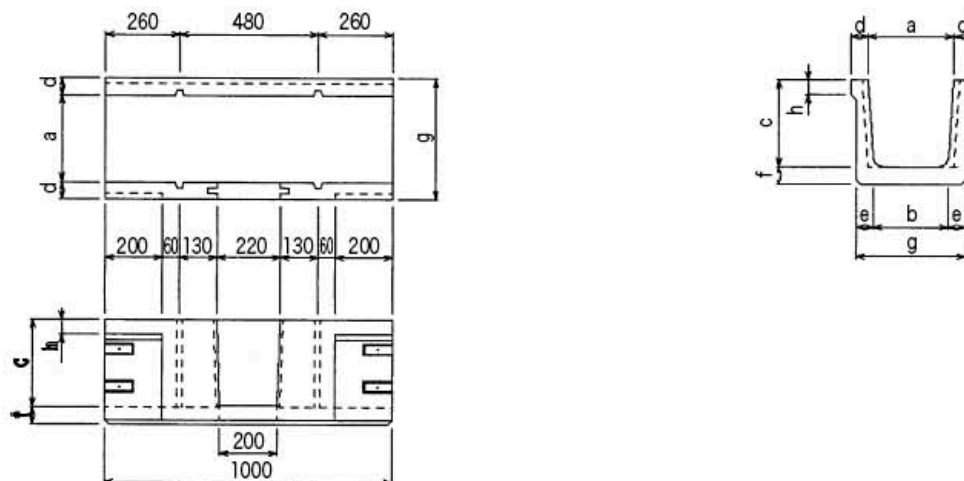
ジョイントフリーム (JF) 連結式フリーム											
呼び名 幅(a)×深さ(c)	寸法 (mm)									参考質量 (kg)	価格 (円)
	a	b	c	d	e	f	g	h	r		
JF 1,200 × 800	1,200	1,140	800	105	100	100	1,340	80	80	1,304	77,000
1,300 × 800	1,300	1,240					1,440			1,351	80,700
1,400 × 800	1,400	1,340					1,540			1,402	83,400
1,500 × 800	1,500	1,440					1,640			1,449	86,800
1,600 × 800	1,600	1,540					1,740			1,492	89,700
1,700 × 800	1,700	1,640					1,840			1,543	91,200
1,800 × 800	1,900	1,740					1,940			1,590	94,300
JF 900 × 900	900	820					900			110	110
1,000 × 900	1,000	920	1,140	1,398	84,100						
1,100 × 900	1,100	1,020	1,240	1,449	87,600						
1,200 × 900	1,200	1,120	1,340	1,501	90,800						
1,300 × 900	1,300	1,220	1,440	1,543	92,000						
1,400 × 900	1,400	1,320	1,540	1,595	97,600						
1,500 × 900	1,500	1,420	1,640	1,647	99,200						
1,600 × 900	1,600	1,520	1,740	1,698	104,900						
1,700 × 900	1,700	1,620	1,840	1,750	108,300						
1,800 × 900	1,800	1,720	1,940	1,801	111,500						
JF 900 × 1,000	900	820	1,000	120	120	120	1,060	100	100	1,595	94,100
1,000 × 1,000	1,000	920					1,160			1,651	96,500
1,100 × 1,000	1,100	1,020					1,260			1,712	99,800
1,200 × 1,000	1,200	1,120					1,360			1,764	103,200
1,300 × 1,000	1,300	1,220					1,460			1,820	106,500
1,400 × 1,000	1,400	1,320					1,560			1,876	110,100
1,500 × 1,000	1,500	1,420					1,660			1,932	114,300
1,600 × 1,000	1,600	1,520					1,760			1,993	116,800
1,700 × 1,000	1,700	1,620					1,860			2,045	120,000
1,800 × 1,000	1,800	1,720					1,960			2,102	124,000
1,900 × 1,000	1,900	1,820					2,060			2,158	128,000
2,000 × 1,000	2,000	1,920					2,160			2,214	130,000
JF 1,000 × 1,100	1,000	910	1,100	140	140	140	1,190	100	100	2,055	120,000
1,100 × 1,100	1,100	1,010					1,290			2,120	121,000
1,200 × 1,100	1,200	1,110					1,390			2,190	123,000
1,300 × 1,100	1,300	1,210					1,490			2,251	128,000
1,400 × 1,100	1,400	1,310					1,590			2,322	129,000
1,500 × 1,100	1,500	1,410					1,690			2,383	132,000
1,600 × 1,100	1,600	1,510					1,790			2,448	136,000
1,700 × 1,100	1,700	1,610					1,890			2,519	140,000
1,800 × 1,100	1,800	1,710					1,990			2,580	141,000
1,900 × 1,100	1,900	1,810					2,090			2,650	145,000
2,000 × 1,100	2,000	1,910					2,190			2,711	148,000
JF 1,000 × 1,200	1,000	900					1,200			150	150
1,100 × 1,200	1,100	1,000	1,300	2,397	125,000						
1,200 × 1,200	1,200	1,100	1,400	2,472	136,000						
1,300 × 1,200	1,300	1,200	1,500	2,538	141,000						
1,400 × 1,200	1,400	1,300	1,600	2,612	142,000						
1,500 × 1,200	1,500	1,400	1,700	2,683	145,000						
1,600 × 1,200	1,600	1,500	1,800	2,749	150,000						
1,700 × 1,200	1,700	1,600	1,900	2,823	151,000						
1,800 × 1,200	1,800	1,700	2,000	2,890	155,000						
1,900 × 1,200	1,900	1,800	2,100	2,964	158,000						
2,000 × 1,200	2,000	1,900	2,200	3,035	160,000						
JF 1,000 × 1,300	1,000	890	1,300	150	150	150		1,190	100		
1,100 × 1,300	1,100	990					1,290	2,472		135,000	
1,200 × 1,300	1,200	1,090					1,390	2,547		138,000	
1,300 × 1,300	1,300	1,190					1,490	2,618		143,000	
1,400 × 1,300	1,400	1,290					1,590	2,688		147,000	
1,500 × 1,300	1,500	1,390					1,690	2,758		151,000	

ジョイントフリーム (JF) 連結式フリーム

呼び名 幅(a)×深さ(c)	寸 法 (mm)									参考質量 (kg)	価 格 (円)
	a	b	c	d	e	f	g	h	r		
JF 1,600 × 1,300	1,600	1,490	1,300	150	150	150	1,790	100	100	2,823	154,000
1,700 × 1,300	1,700	1,590					1,890			2,899	156,000
1,800 × 1,300	1,800	1,690					1,990			2,969	160,000
1,900 × 1,300	1,900	1,790					2,090			3,040	161,000
2,000 × 1,300	2,000	1,890					2,190			3,110	164,000
JF 1,000 × 1,400	1,000	870	1,400	155	155	155	1,180	100	100	2,556	141,000
1,100 × 1,400	1,100	970					1,280			2,632	143,000
1,200 × 1,400	1,200	1,070					1,380			2,702	147,000
1,300 × 1,400	1,300	1,170					1,480			2,777	150,000
1,400 × 1,400	1,400	1,270					1,580			2,847	154,000
1,500 × 1,400	1,500	1,370					1,680			2,922	156,000
1,600 × 1,400	1,600	1,470					1,780			2,993	161,000
1,700 × 1,400	1,700	1,570					1,880			3,067	162,000
1,800 × 1,400	1,800	1,670					1,980			3,138	167,000
1,900 × 1,400	1,900	1,770					2,080			3,213	172,000
2,000 × 1,400	2,000	1,870	2,180	3,283	175,000						
JF 1,000 × 1,500	1,000	860	1,500	160	160	160	1,180	100	100	2,749	148,000
1,100 × 1,500	1,100	960					1,280			2,829	151,000
1,200 × 1,500	1,200	1,060					1,380			2,899	155,000
1,300 × 1,500	1,300	1,160					1,480			2,978	158,000
1,400 × 1,500	1,400	1,260					1,580			3,049	162,000
1,500 × 1,500	1,500	1,360					1,680			3,128	164,000
1,600 × 1,500	1,600	1,460					1,780			3,199	168,000
1,700 × 1,500	1,700	1,560					1,980			3,278	169,000
1,800 × 1,500	1,800	1,660					2,080			3,349	172,000
1,900 × 1,500	1,900	1,760					2,180			3,429	177,000
2,000 × 1,500	2,000	1,860	2,280	3,500	181,000						

注1) 上記規格以外についてはご相談下さい。

ジョイントフリーム用分水

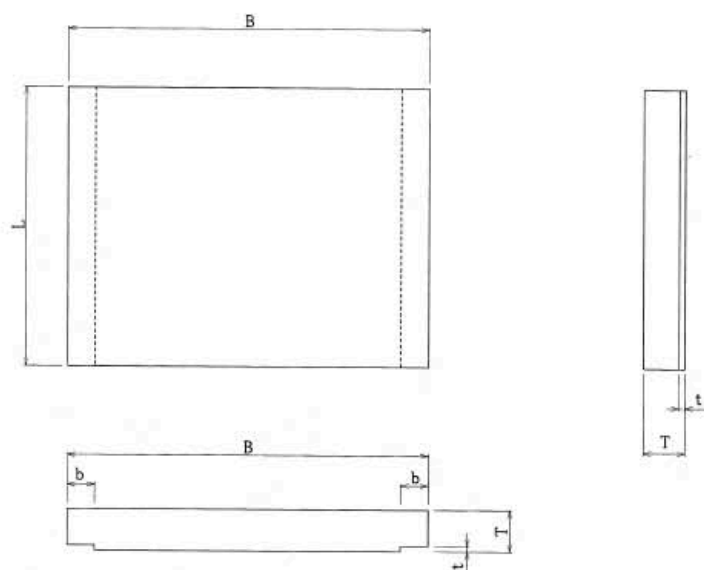


ジョイントフリーム用分水

呼び名 幅(a)×深さ(c)	寸 法 (mm)									参考質量 (kg)	価 格 (円)
	a	b	c	d	e	f	g	h	L		
300 × 300	300	260	300	60	60	60	380	50	1,000	122	16,500
300 × 400	300	250	400	60	65	65	380	50		153	19,500
400 × 400	400	350	400	60	65	65	480	50		168	21,100
500 × 500	500	450	500	75	75	75	600	70		249	33,500
600 × 600	600	550	600	85	85	85	720	70		339	41,200
700 × 600	700	650	600	85	85	85	820	70		359	44,000

ジョイントフリーウム用ふた (JFC)

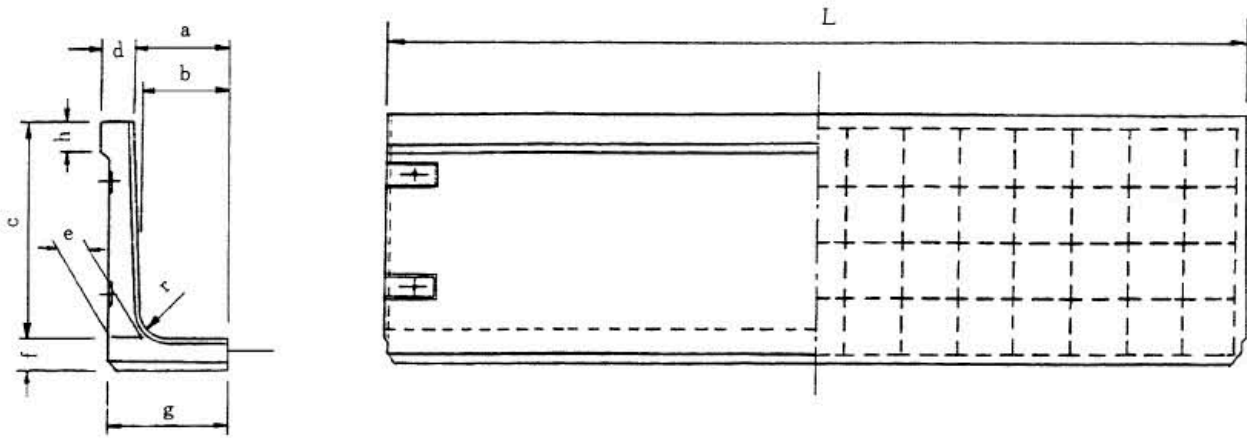
※ソケットフリーウム用ふたとしても使用します。



ジョイントフリーウム用ふた (JFC)										
呼び名	寸法 (mm)						参考質量 (kg)		価格 (円)	
	B	b	T		t	L	T-14	T-6	T-14	T-6
			T-14	T-6						
JFC 300	420	65	90	80	10	1,000	90	79	6,640	6,000
400	520	65	100	80			125	99	9,410	7,300
450	580	70	110	90			153	125	11,360	9,410
500	650	80	120	90			187	140	14,500	11,200
600	770	90	120	100			222	185	16,900	13,300
700	900	105	130	100			282	216	19,100	14,700
800	1,000	105	130	100			314	240	22,100	17,400
900	1,100	105	140	110			372	292	24,000	19,500
1000	1,200	105	150	110			436	319	27,200	21,000
1100	1,300	110	150	110			468	341	29,500	22,800
1200	1,400	110	150	120	505	402	35,100	28,400		
1300	1,500	110	160	120	578	431	37,600	30,800		
1400	1,600	110	160	120	617	461	40,100	32,800		
1500	1,700	110	170	130	698	532	43,800	34,800		
1600	1,800	115	170	130	740	564	51,000	41,500		
1700	1,900	115		130		595		43,700		
1800	2,000	115	180	130	872	627	56,800	46,000		
2000	2,200	115	180	140	960	745	60,500	47,000		

ジョイントフリーウム用ふた (アートJFC) ※アート模様付、T-14							
呼び名	寸法 (mm)					参考質量 (kg)	価格 (円)
	B	b	T	t	L		
アートJFC 2000	2,200	115	180	20	1,000	903	60,500
					2,000	1,806	121,000

ジョイントL形フリューム (JFL)



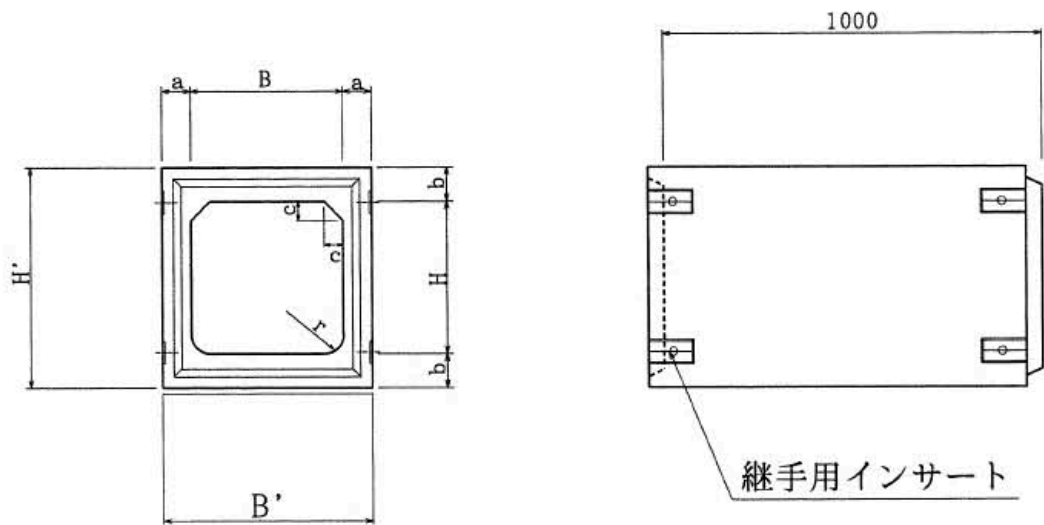
ジョイントL形フリューム (JFL)												(連結式L形フリューム)	
呼び名	種別	寸法 (mm)										参考質量 (kg)	価格 (円)
		a	b	c	d	e	f	g	h	r	l		
ジョイントL形フリューム	JFL 300	150	130	300	60	60	60	190	50	50	2000	136	11,360
	400	200	175	400	"	65	65	240	"	"	"	178	14,500
	500	250	225	500	75	75	75	300	70	70	"	272	20,300
	600	300	275	600	85	85	85	360	"	"	"	366	23,700
	700	350	320	700	100	100	100	420	80	80	"	498	33,100
	800	400	370	800	105	"	"	470	"	"	"	581	40,000
	900	450	410	900	110	110	110	520	"	"	"	671	47,500
	1000	500	460	1000	120	120	120	580	100	100	"	826	57,000
	1100	550	505	1100	140	140	140	645	"	"	"	1,065	69,800
	1200	600	550	1200	150	150	150	700	"	"	"	1,238	79,000
	1300	650	595	1300	"	"	"	745	"	"	"	1,308	80,000
	1400	700	635	1400	155	155	155	790	"	"	"	1,421	85,100
	1500	750	680	1500	160	160	160	840	"	"	"	1,562	94,100

備考

- ・現場車上渡
但し現場状況により別途運賃を頂く場合があります。
- ・継手部材・目地材付
- ・カーブ・流入口等異型品は別途価格です。
- ・規格外については御相談下さい。
- ・現場状況により、底版の張り出し寸法 (a, b, g) は都度計算させていただきます。

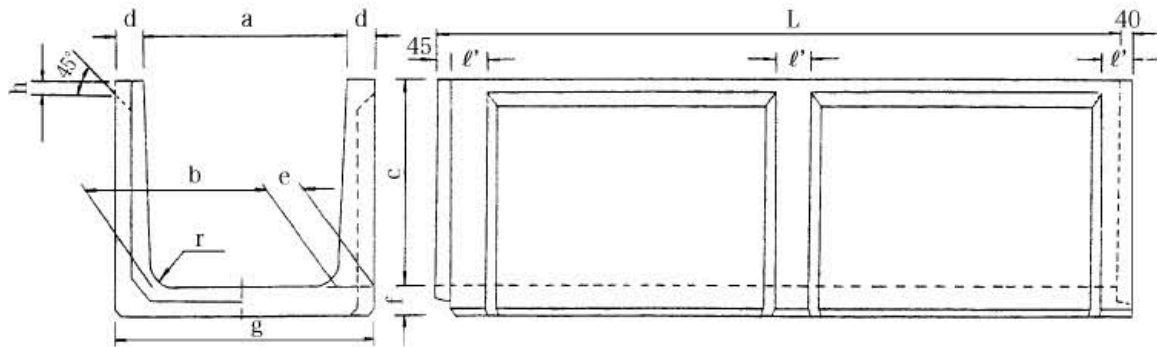
ジョイントカルバート (JC)

NUJ工法



ジョイントカルバート (JC) 連結式暗渠									
呼び名	寸法 (mm)				参考質量 (kg)	価格 (円)			備考
	a	b	c	r		T-20	T-14	T-6	
JC 300 × 300	60	75	40	50	249	21,800	20,500	19,000	継手部材・目地材含む
350 × 350	70	80	40		318	28,500	27,100	24,500	
400 × 400	75	90	50		398	34,000	32,400	29,500	
450 × 450	75	95	50	70	456	37,500	35,700	32,000	
500 × 500	80	100	60		533	43,200	41,000	37,200	
550 × 550	90	105	60		632	53,500	50,000	45,400	
600 × 600	90	115	70		721	58,400	55,600	47,400	
650 × 650	100	120	70	80	835	63,200	60,100	51,600	
700 × 700	110	125	80		963	69,700	67,200	58,900	
800 × 800	110	140	80		1,153	83,100	79,000	70,100	
900 × 900	130	150	100	100	1,457	107,600	102,400	90,400	
1000 × 1000	140	165	100		1,755	124,000	118,000	104,900	

ソケットフリューム (SF)



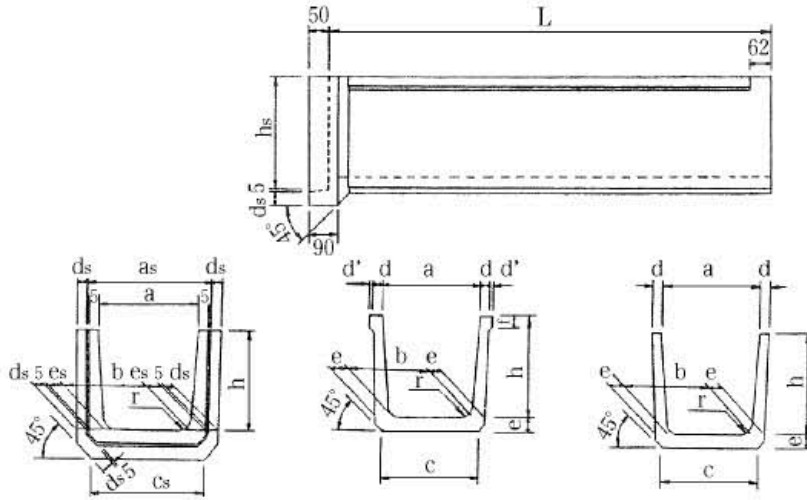
※反転（施工状態の向き）で納入となります。
 ※ふたはP186に記載しています。

ソケットフリューム (SF)		(ソケット式フリューム)											参考質量 (kg)	価格 (円)
呼び名	種別 a × c	寸法 (mm)												
		a	b	c	d	e	f	g	h	ℓ	ℓ'	r		
ソケットフリューム	SF 400 × 500	400	350	500	75	100	75	550	40	2000	100	70	448	28,400
	500 × 500	500	450	500	75	100	75	650	40	2000	100	70	493	30,800
	600 × 500	600	550	500	75	100	75	750	40	2000	100	70	521	32,900
	700 × 500	700	650	500	75	100	75	850	40	2000	100	70	559	34,900
	800 × 500	800	750	500	75	100	75	950	40	2000	100	70	588	37,200
	900 × 500	900	850	500	75	100	75	1050	40	2000	100	70	626	39,200
	1000 × 500	1000	950	500	75	100	75	1150	40	2000	100	70	661	41,500
	SF 400 × 600	400	350	600	85	110	85	570	40	2000	100	70	549	32,400
	500 × 600	500	450	600	85	110	85	670	40	2000	100	70	590	35,700
	600 × 600	600	550	600	85	110	85	770	40	2000	100	70	628	37,600
	700 × 600	700	650	600	85	110	85	870	40	2000	100	70	666	40,700
	800 × 600	800	750	600	85	110	85	970	40	2000	100	70	712	42,900
	900 × 600	900	850	600	85	110	85	1070	40	2000	100	70	753	45,100
	1000 × 600	1000	950	600	85	110	85	1170	40	2000	100	70	784	48,000
	1100 × 600	1100	1050	600	85	110	85	1270	40	2000	100	70	833	49,800
	1200 × 600	1200	1150	600	85	110	85	1370	40	2000	100	70	871	51,800
SF 500 × 700	500	440	700	100	130	100	700	45	2000	100	80	754	45,500	
600 × 700	600	540	700	100	130	100	800	45	2000	100	80	792	48,000	
700 × 700	700	640	700	100	130	100	900	45	2000	100	80	844	50,500	
800 × 700	800	740	700	100	130	100	1000	45	2000	100	80	894	53,000	
900 × 700	900	840	700	100	130	100	1100	45	2000	100	80	934	55,600	
1000 × 700	1000	940	700	100	130	100	1200	45	2000	100	80	983	58,700	
1100 × 700	1100	1040	700	100	130	100	1300	45	2000	100	80	1,034	61,600	
1200 × 700	1200	1140	700	100	130	100	1400	45	2000	100	80	1,074	64,400	
1300 × 700	1300	1240	700	100	130	100	1500	45	2000	100	80	1,124	69,500	
1400 × 700	1400	1340	700	100	130	100	1600	45	2000	100	80	1,175	71,500	
SF 600 × 800	600	540	800	105	135	100	810	45	2000	100	80	924	55,600	
700 × 800	700	640	800	105	135	100	910	45	2000	100	80	976	58,800	
800 × 800	800	740	800	105	135	100	1010	45	2000	100	80	1,023	61,700	
900 × 800	900	840	800	105	135	100	1110	45	2000	100	80	1,067	65,000	
1000 × 800	1000	940	800	105	135	100	1210	45	2000	100	80	1,111	68,100	
1100 × 800	1100	1040	800	105	135	100	1310	45	2000	100	80	1,162	71,000	
1200 × 800	1200	1140	800	105	135	100	1410	45	2000	100	80	1,208	74,300	
1300 × 800	1300	1240	800	105	135	100	1510	45	2000	100	80	1,253	78,000	
1400 × 800	1400	1340	800	105	135	100	1610	45	2000	100	80	1,304	80,700	
1500 × 800	1500	1440	800	105	135	100	1710	45	2000	100	80	1,351	84,100	
1600 × 800	1600	1540	800	105	135	100	1810	45	2000	100	80	1,393	87,000	

呼び名	種別 a × c	寸法 (mm)											参考質量 (kg)	価格 (円)
		a	b	c	d	e	f	g	h	ℓ	ℓ'	r		
ソケットフリューム	S F 600 × 900	600	520	900	110	150	110	820	50	2000	100	80	1,086	68,300
	700 × 900	700	620	900	110	150	110	920	50	2000	100	80	1,138	71,400
	800 × 900	800	720	900	110	150	110	1020	50	2000	100	80	1,189	74,500
	900 × 900	900	820	900	110	150	110	1120	50	2000	100	80	1,240	78,000
	1000 × 900	1000	920	900	110	150	110	1220	50	2000	100	80	1,293	81,400
	1100 × 900	1100	1020	900	110	150	110	1320	50	2000	100	80	1,344	84,900
	1200 × 900	1200	1120	900	110	150	110	1420	50	2000	100	80	1,396	88,100
	1300 × 900	1300	1220	900	110	150	110	1520	50	2000	100	80	1,447	91,400
	1400 × 900	1400	1320	900	110	150	110	1620	50	2000	100	80	1,498	94,900
	1500 × 900	1500	1420	900	110	150	110	1720	50	2000	100	80	1,551	96,500
	1600 × 900	1600	1520	900	110	150	110	1820	50	2000	100	80	1,602	102,200
	1700 × 900	1700	1620	900	110	150	110	1920	50	2000	100	80	1,654	105,600
	1800 × 900	1800	1720	900	110	150	110	2020	50	2000	100	80	1,705	108,800
	S F 700 × 1000	700	620	1000	120	160	120	940	50	2000	100	100	1,281	82,100
	800 × 1000	800	720	1000	120	160	120	1040	50	2000	100	100	1,340	84,500
	900 × 1000	900	820	1000	120	160	120	1140	50	2000	100	100	1,396	88,100
	1000 × 1000	1000	920	1000	120	160	120	1240	50	2000	100	100	1,449	91,700
	1100 × 1000	1100	1020	1000	120	160	120	1340	50	2000	100	100	1,513	95,400
	1200 × 1000	1200	1120	1000	120	160	120	1440	50	2000	100	100	1,564	99,000
	1300 × 1000	1300	1220	1000	120	160	120	1540	50	2000	100	100	1,618	102,200
1400 × 1000	1400	1320	1000	120	160	120	1640	50	2000	100	100	1,677	106,800	
1500 × 1000	1500	1420	1000	120	160	120	1740	50	2000	100	100	1,733	111,600	
1600 × 1000	1600	1520	1000	120	160	120	1840	50	2000	100	100	1,794	114,100	
1700 × 1000	1700	1620	1000	120	160	120	1940	50	2000	100	100	1,846	117,000	
1800 × 1000	1800	1720	1000	120	160	120	2040	50	2000	100	100	1,900	121,000	
1900 × 1000	1900	1820	1000	120	160	120	2140	50	2000	100	100	1,958	124,000	
2000 × 1000	2000	1920	1000	120	160	120	2240	50	2000	100	100	2,014	128,000	
S F 800 × 1100	800	710	1100	140	185	140	1080	55	2000	100	100	1,625	94,400	
900 × 1100	900	810	1100	140	185	140	1180	55	2000	100	100	1,696	98,400	
1000 × 1100	1000	910	1100	140	185	140	1280	55	2000	100	100	1,757	102,200	
1100 × 1100	1100	1010	1100	140	185	140	1380	55	2000	100	100	1,822	106,200	
1200 × 1100	1200	1110	1100	140	185	140	1480	55	2000	100	100	1,890	110,100	
1300 × 1100	1300	1210	1100	140	185	140	1580	55	2000	100	100	1,954	114,100	
1400 × 1100	1400	1310	1100	140	185	140	1680	55	2000	100	100	2,024	117,000	
1500 × 1100	1500	1410	1100	140	185	140	1780	55	2000	100	100	2,082	121,000	
1600 × 1100	1600	1510	1100	140	185	140	1880	55	2000	100	100	2,148	125,000	
1700 × 1100	1700	1610	1100	140	185	140	1980	55	2000	100	100	2,222	129,000	
1800 × 1100	1800	1710	1100	140	185	140	2080	55	2000	100	100	2,282	132,000	
1900 × 1100	1900	1810	1100	140	185	140	2180	55	2000	100	100	2,352	137,000	
2000 × 1100	2000	1910	1100	140	185	140	2280	55	2000	100	100	2,414	141,000	
2100 × 1100	2100	2010	1100	140	185	140	2380	55	2000	100	100	2,480	144,000	
S F 900 × 1200	900	800	1200	150	200	150	1200	55	2000	100	100	1,945	103,500	
1000 × 1200	1000	900	1200	150	200	150	1300	55	2000	100	100	2,013	106,500	
1100 × 1200	1100	1000	1200	150	200	150	1400	55	2000	100	100	2,078	109,600	
1200 × 1200	1200	1100	1200	150	200	150	1500	55	2000	100	100	2,154	112,300	
1300 × 1200	1300	1200	1200	150	200	150	1600	55	2000	100	100	2,219	117,000	
1400 × 1200	1400	1300	1200	150	200	150	1700	55	2000	100	100	2,293	121,000	
1500 × 1200	1500	1400	1200	150	200	150	1800	55	2000	100	100	2,367	124,000	
1600 × 1200	1600	1500	1200	150	200	150	1900	55	2000	100	100	2,432	127,000	
1700 × 1200	1700	1600	1200	150	200	150	2000	55	2000	100	100	2,507	131,000	
1800 × 1200	1800	1700	1200	150	200	150	2100	55	2000	100	100	2,573	135,000	
1900 × 1200	1900	1800	1200	150	200	150	2200	55	2000	100	100	2,645	140,000	
2000 × 1200	2000	1900	1200	150	200	150	2300	55	2000	100	100	2,718	144,000	
2100 × 1200	2100	2000	1200	150	200	150	2400	55	2000	100	100	2,782	149,000	
2200 × 1200	2200	2100	1200	150	200	150	2500	55	2000	100	100	2,858	154,000	

小型有 150mmサイズの小型製品もご用意しています。

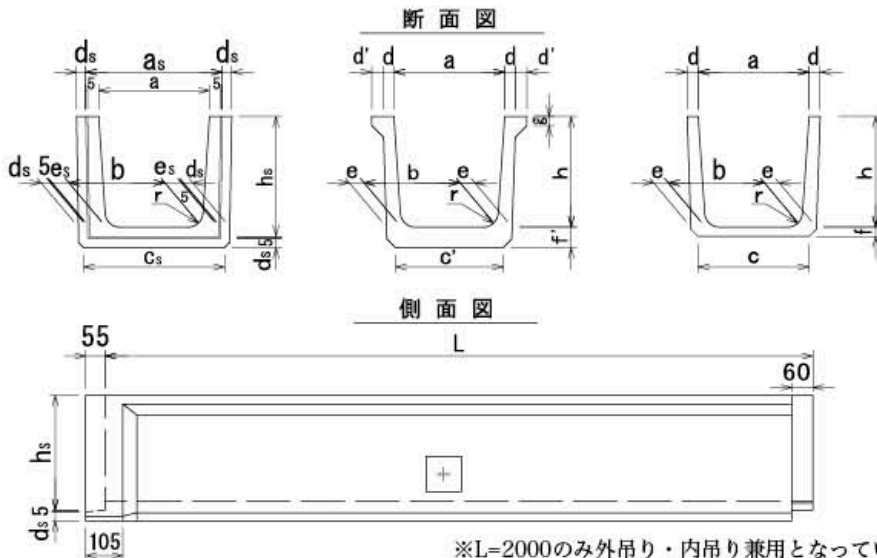
ソケットフリューム (SF)



ソケットフリューム (SF)		(角フリューム)																
呼び名	種別 a × h	寸法 (mm)															参考質量 (kg)	価格 (円)
		a	b	c	d	d'	e	f	r	h	as	cs	ds	es	hs	ℓ		
ソケット フリューム	SF 150 × 150	150	130	150	25	10	30	20	30	150	210	189	30	35	182	2000	75	6,400
	200 × 200	200	170	205	30	10	35	25	30	200	270	248	35	40	237	2000	112	7,000
	250 × 250	250	215	250	30	10	35	30	30	250	320	293	35	40	287	2000	126	9,800
	300 × 300	300	260	300	30	10	40	30	40	300	370	343	35	45	345	2000	164	12,300
	350 × 350	350	300	345	35	10	45	35	50	350	430	388	35	50	397	2000	220	14,900
	400 × 400	400	345	395	40	15	50	40	50	400	490	442	40	55	452	2000	272	18,100
	450 × 450	450	390	440	40	15	50	40	50	450	540	487	40	55	502	2000	305	22,900
	500 × 500	500	435	490	45	15	55	45	60	500	600	542	45	60	557	2000	380	30,800

ソケットフリューム (SF) アゴなしタイプ

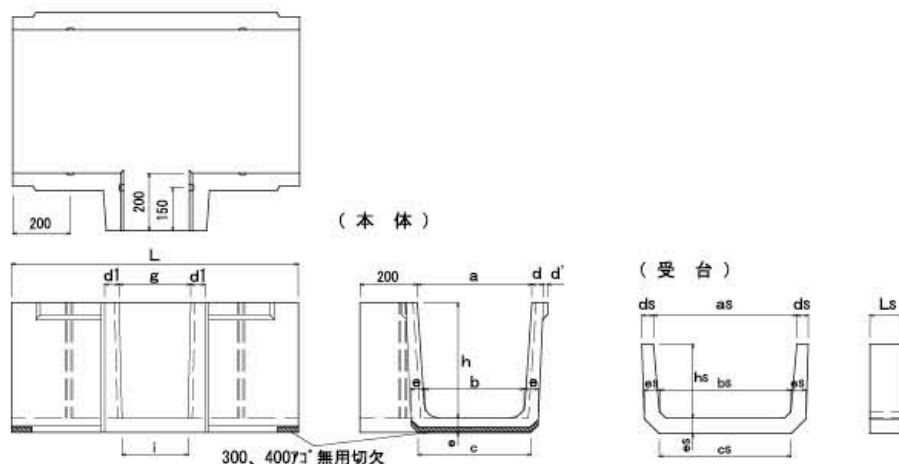
L=2000
L=4000



※L=2000のみ外吊り・内吊り兼用となっています。
※300サイズのみインサート部の壁厚が厚くなっています。

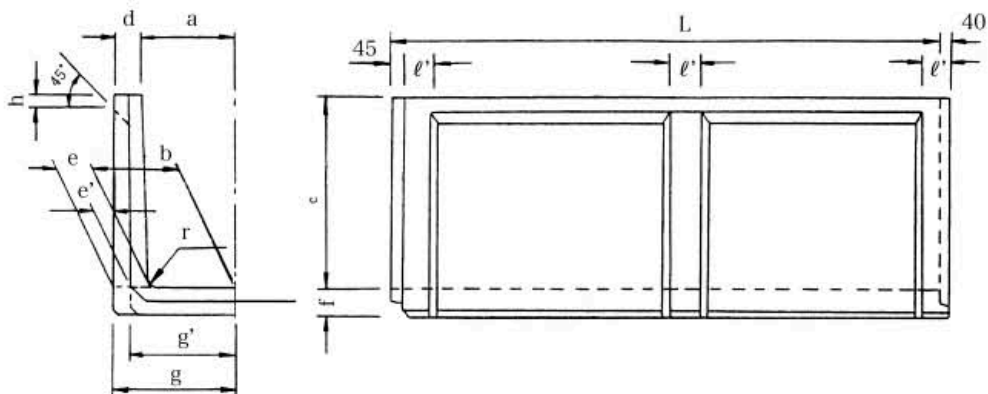
ソケットフリューム (SF) アゴなしタイプ		(角フリューム)																			
呼び名	種別 a × h	寸法 (mm)															参考質量 (kg)	価格 (円)			
		a	b	c	c'	d	d'	e	f	f	g	r	h	as	cs	ds			es	hs	L
ソケット フリューム アゴなしタイプ	SF300 × 300	300	260	300	292	30	30	40	25	55	25	40	300	370	382	25	45	325	2,000	199	12,300
		300	260	300	292	30	30	40	25	55	25	40	300	370	382	25	45	325	4,000	393	24,800
	SF400 × 400	400	345	395	388	40	35	50	30	65	25	50	400	490	488	30	55	430	2,000	322	18,100
		400	345	395	388	40	35	50	30	65	25	50	400	490	488	30	55	430	4,000	635	36,200

ソケットフリーウム用分水



ソケットフリーウム用分水		(角フリーウム用分水)																						
呼び名	種別	寸法 (mm)																本体		受台		合計		
		a	b	c	d	d'	dl	e	g	h	i	r	ℓ	as	bs	cs	ds	es	hs	参考質量 (kg)	価格 (円)	参考質量 (kg)	価格 (円)	価格 (円)
ソケットフリーウム用分水	200×200	200	170	205	30	10	35	35	250	200	230	30	1000	280	256	256	35	40	242	50	8,800	9	1,300	10,100
	250×250	250	215	250	30	10	35	35	250	250	230	30	1000	330	301	301	35	40	292	60	11,500	10	1,700	13,200
	300×300	300	260	300	30	10	40	40	250	300	230	40	1000	380	357	357	35	45	347	79	14,700	13	2,100	16,800
	350×350	350	300	345	35	10	45	45	250	350	230	50	1000	440	406	406	35	50	402	102	17,800	16	2,600	20,400
	400×400	400	345	395	40	15	50	50	250	400	230	50	1000	500	460	460	40	55	457	129	22,300	21	3,300	25,600
	450×450	450	390	440	40	15	50	50	250	450	230	50	1000	550	505	505	40	55	507	141	28,400	23	4,200	32,600
	500×500	500	435	490	45	15	55	55	250	500	230	60	1000	610	559	559	45	60	562	175	36,400	25	5,400	41,800

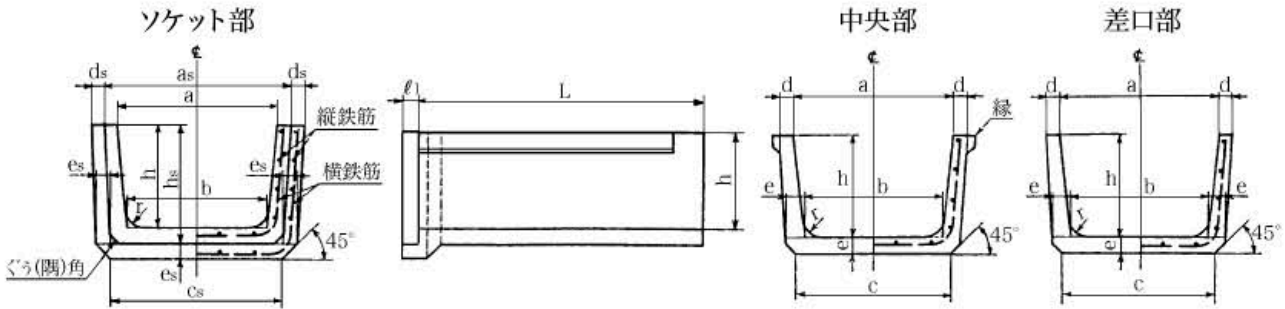
ソケットL形フリーウム (SFL)



ソケットL形フリーウム (SFL)		(ソケット式L形フリーウム)												
呼び名	種別	寸法 (mm)											参考質量 (kg)	価格 (円)
		a	b	c	d	e	f	g	h	ℓ	ℓ'	r		
ソケットL形フリーウム	SFL 500	250	225	500	75	100	75	325	40	2000	100	70	252	17,700
	600	300	275	600	85	110	85	385	40	2000	100	70	319	22,800
	700	350	320	700	100	130	100	450	45	2000	100	80	431	31,100
	800	400	370	800	105	135	100	505	45	2000	100	80	519	37,400
	900	450	410	900	110	150	110	560	50	2000	100	80	633	46,400
	1000	500	460	1000	120	160	120	620	50	2000	100	100	738	56,200
	1100	550	505	1100	140	185	140	690	55	2000	100	100	929	68,900
	1200	600	550	1200	150	200	150	750	55	2000	100	100	1,093	77,400

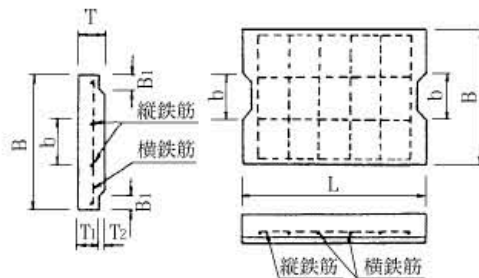
※現場状況により、底版の張り出し寸法 (a, b, g) は都度計算させていただきます。

鉄筋コンクリートベンチフリューム (BF)



鉄筋コンクリートベンチフリューム (BF)															J I S A 5372 附属書 9					
呼 び 名	種別	寸 法 (mm)													参考質量 (kg)	価 格 (円)				
		a	b	c	d	e	h	r	a _s	d _s	e _s	h _s	ℓ ₁	L						
鉄筋コンクリートベンチフリューム	200	200	170	205	30	35	150	30	275	35	35	186	60	2000	90	7,160				
	250	250	215	250		175	325	211	106			8,600								
	300	300	260	300		40	200	40	375			241			136	10,750				
	350	350	300	345	35	45	235	435	281	180	13,900									
	400	400	345	395	40	50	260	50	495	40	40	311			228	17,800				
	450	450	390	440	45	60	295	60	705	45	45	346			254	19,500				
	500	500	435	490											55	320	605	376	308	22,400
	550	550	475	535											60	355	655	416	352	27,200
	600	600	520	580	50	70	380	70	755	50	50	441			378	31,000				
	650	650	565	630											65	415	755	481	438	33,800
	700	700	610	680											70	440	815	511	508	37,900
	800	800	695	770	55	80	75	490	915	50	50	566			598	45,600				
	900	900	785	870											85	550	1025	636	758	57,600
	1000	1000	875	965											90	600	1125	691	870	65,900

鉄筋コンクリートベンチフリューム用ふた



鉄筋コンクリートベンチフリューム用ふた											
呼 び 名	種別	寸 法 (mm)							参考質量 (kg)	個/m	価 格 (円)
		B	B ₁	T	T ₁	T ₂	b	L			
鉄筋コンクリートベンチフリューム用ふた 1種 (土被り 0 荷重 T-4)	200	280	45	40	35	5	75	1,000	27	1	2,220
	250	330	〃	45	40	〃	90	〃	34	〃	2,900
	300	380	〃	60	50	10	100	〃	52	〃	3,920
	350	440	50	65	55	〃	120	500	32	2	2,900
	400	510	60	〃	〃	〃	〃	〃	37	〃	3,050
	450	560	〃	70	60	〃	〃	〃	44	〃	3,570
	500	620	65	〃	〃	〃	〃	〃	48	〃	3,750
	550	640	50	75	65	〃	〃	〃	53	〃	3,920
	600	690	〃	〃	〃	〃	150	〃	58	〃	4,430

注目製品 / 工法紹介

擁壁・法面用製品

環境・河川用製品

道路用製品

旧日本道路公団型製品

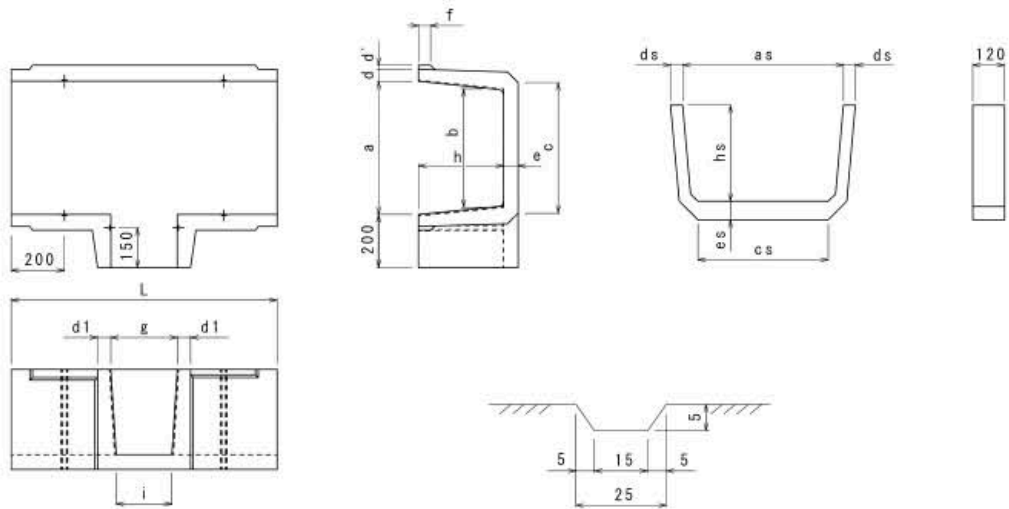
水路用製品

暗渠製品

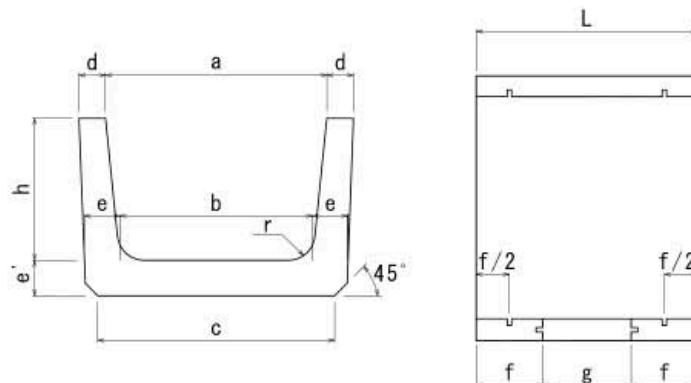
その他製品

商 品

鉄筋コンクリートベンチフリューム用分水

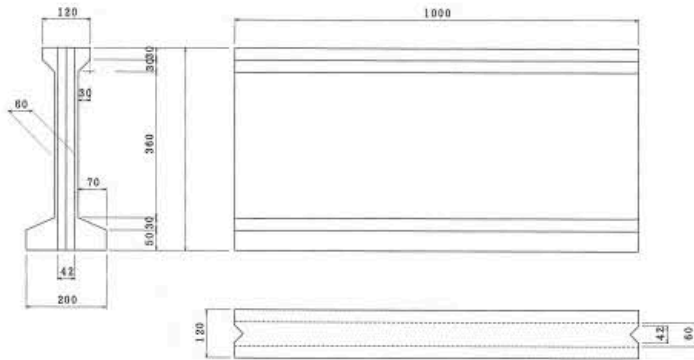


鉄筋コンクリートベンチフリューム用分水																							
呼び名	種別	寸法 (mm)												本体		受台		合計 価格 (円)					
		a	b	c	d	d'	d ₁	e	f	g	h	i	r	L	as	ds	es		hs	参考質量 (kg)	価格 (円)	参考質量 (kg)	価格 (円)
分水	200	200	170	205	30	10	40	35	25	250	150	230	30	1000	275	35	40	191	46	5,420	7	840	6,260
	250	250	215	250	*	*	*	*	30	*	175	*	*	*	325	35	40	216	53	6,380	8	960	7,340
	300	300	260	300	*	*	*	40	*	*	200	*	40	*	375	35	40	246	68	7,970	9	1,090	9,060
	350	350	300	345	35	*	50	45	35	*	235	50	*	435	35	40	286	88	10,520	11	1,300	11,820	
	400	400	345	395	40	15	*	50	40	*	260	*	*	*	495	40	45	316	112	13,200	14	1,560	14,760
	450	450	390	440	*	*	*	*	*	*	295	*	*	*	545	40	45	351	125	14,400	15	1,730	16,130
	500	500	435	490	45	*	*	55	45	*	320	*	60	*	605	45	50	381	150	16,900	19	2,130	19,030
	550	550	475	535	*	—	*	60	*	*	355	*	*	*	655	45	50	421	169	20,600	20	2,240	22,840
	600	600	520	580	*	—	*	*	*	*	380	*	*	*	705	45	50	446	181	23,300	22	2,590	25,890
	650	650	565	630	*	—	60	65	*	*	415	*	70	*	755	45	50	486	209	25,300	23	2,710	28,010



鉄筋コンクリートベンチフリューム用分水													
呼び名	種別	寸法 (mm)										参考質量 (kg)	価格 (円)
		a	b	c	d	e	e'	g	h	r	L		
分水	800	800	695	770	50	75	75	200	490	70	1000	281	32,400

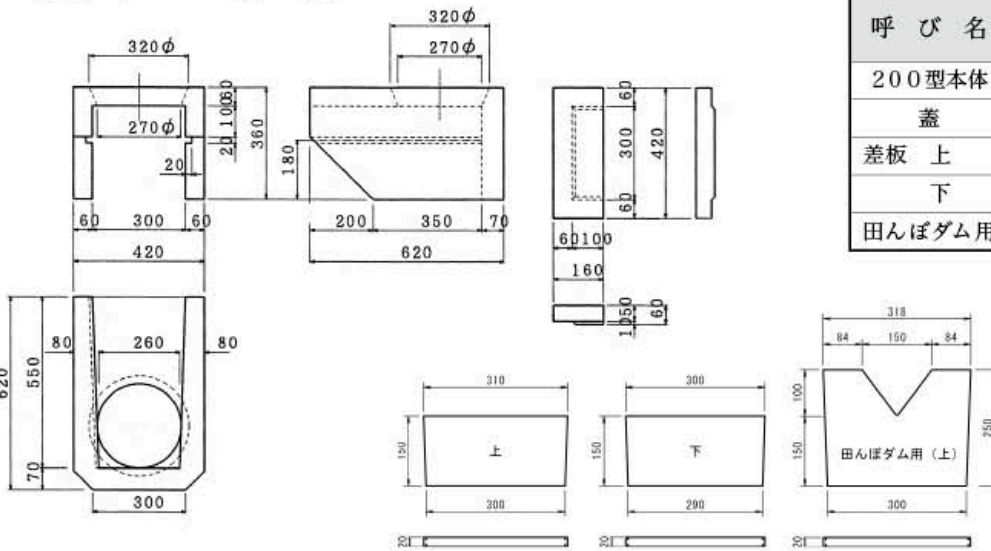
畦畔ブロック



畦畔ブロック500	
参考質量 (kg)	価格 (円)
120	5,840

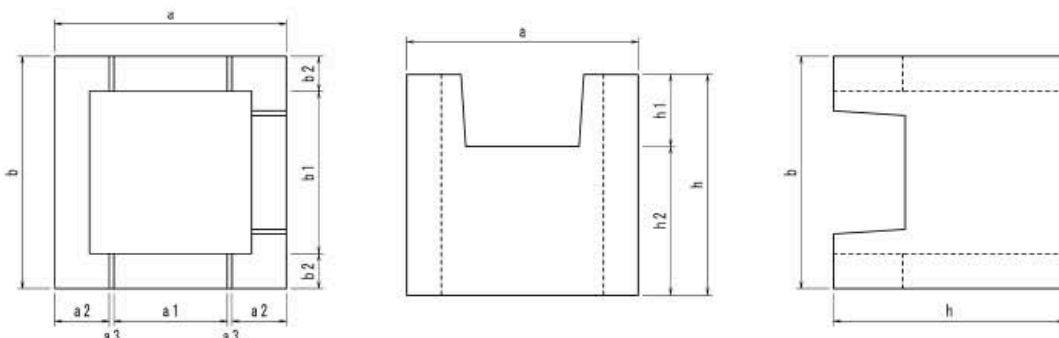
排水堰

排水堰200型 蓋



呼び名	参考質量 (kg)	価格 (円)
200型本体	94	13,700
蓋	10	1,540
差板 上	2	788
下	2	788
田んぼダム用	3	976

合流ボックス



合流ボックス (CB) ※底なし														
呼び名	種別	寸法 (mm)										参考質量 (kg)	価格 (円)	備考
		a	a1	a2	a3	b	b1	b2	h	h1	h2			
合流ボックス	1号 CB-700	1,000	490	235	20	1,000	700	150	950	310	640	830	76,200	BF200~400
	2号 CB-800	1,100	620	220	20	1,100	800		1,050	415	635	930	93,100	BF450~550
	3号 CB-1000	1,300	770	240	25	1,300	1,000		1,250	510	640	1,380	131,000	BF600~700
	4号 CB-1200	1,500	1,070	185	30	1,500	1,200		1,450	690	760	1,590	170,000	BF800~1000