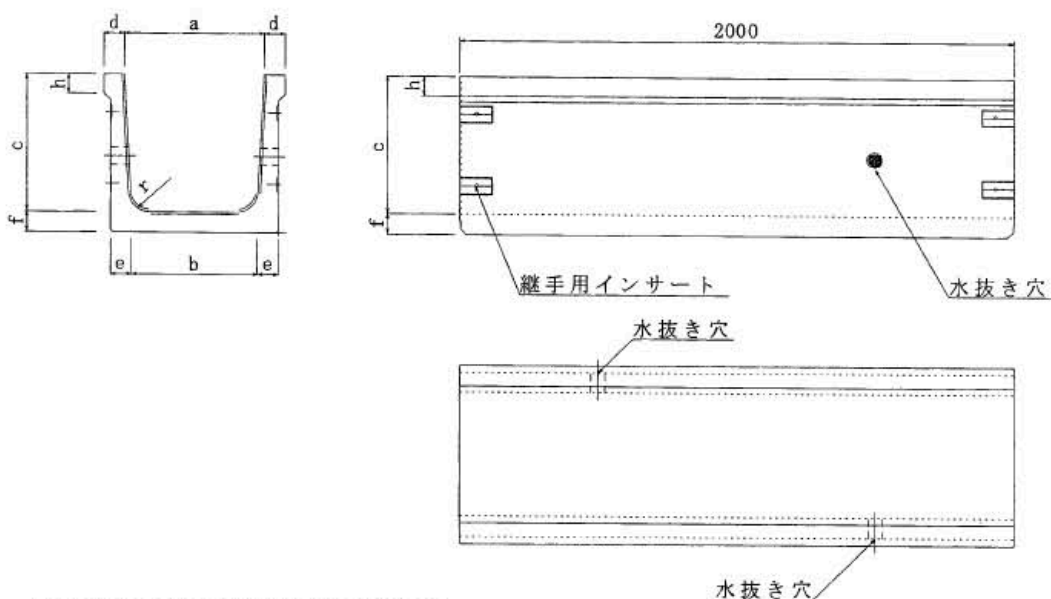


●水路用製品

浮力対応型フリューム	177
ジョイントフリューム	180
ジョイントフリューム用分水	182
ジョイントフリューム用ふた	183
ジョイントL形フリューム	184
ジョイントカルバート	185
ソケットフリューム	186
ソケットフリューム用分水	189
ソケットL形フリューム	189
鉄筋コンクリートベンチフリューム	190
鉄筋コンクリートベンチフリューム用ふた	190
鉄筋コンクリートベンチフリューム用分水	191
畦畔ブロック	192
排水堰	192
合流ボックス	192

浮力対応型フリューム

NUJ工法



※反転(施工状態の向き)での納入も可能です。

浮力対応型フリューム											
呼び名 幅(a)×深さ(c)	寸法(mm)								参考質量 (kg)	価格(円)	
	a	b	c	d	e	f	h	r		排水路	用水路
300 × 300	300	260	300	60	60	60	50	50	263	17,500	21,000
300 × 400	300	250	400	60	65	65	50	50	328	20,100	23,500
400 × 400	400	350				65			357	21,500	24,900
500 × 400	500	450				65			384	23,200	26,600
600 × 400	600	550				65			422	24,800	28,200
700 × 400	700	650				65			446	26,900	30,300
800 × 400	800	750				75			521	29,300	32,700
450 × 450	450	410	450	65	65	65	50	50	431	25,800	29,300
300 × 500	300	250	500	75	75	75	70	70	464	26,900	30,300
400 × 500	400	350				75			498	28,500	31,900
500 × 500	500	450				75			539	29,600	33,100
600 × 500	600	550				75			568	31,700	35,100
700 × 500	700	650				75			605	33,300	36,800
800 × 500	800	750				75			638	35,300	38,700
900 × 500	900	850				75			675	37,300	40,800
1,000 × 500	1,000	950				85			765	43,000	46,400
500 × 600	500	450	600	85	85	85	70	70	689	38,000	41,500
600 × 600	600	550				85			727	39,300	42,700
700 × 600	700	650				85			765	41,600	45,000
800 × 600	800	750				85			807	43,700	47,100
900 × 600	900	850				85			849	46,000	49,400
1,000 × 600	1,000	950				85			882	49,300	52,700
1,100 × 600	1,100	1,050				95			990	53,800	57,200
1,200 × 600	1,200	1,150				115			1,154	58,800	62,300
700 × 700	700	640	700	100	100	100	80	80	994	53,800	57,200
800 × 700	800	740				100			1,041	56,300	59,800
900 × 700	900	840				100			1,089	58,900	62,400
1,000 × 700	1,000	940				100			1,131	61,600	65,000
1,100 × 700	1,100	1,040				100			1,182	64,100	67,600
1,200 × 700	1,200	1,140				110			1,290	65,500	69,000
1,300 × 700	1,300	1,240				120			1,412	71,300	74,700
1,400 × 700	1,400	1,340				130			1,539	79,800	83,200

浮力対応型フリューム																
呼び名 幅(a)×深さ(c)	寸法(mm)								参考質量 (kg)	価格(円)						
	a	b	c	d	e	f	h	r		排水路	用水路					
700 × 800	700	640	800	105	100	100	80	80	1,074	58,700	62,200					
800 × 800	800	740				100			1,121	62,100	65,500					
900 × 800	900	840				100			1,163	65,300	68,700					
1,000 × 800	1,000	940				100			1,210	68,600	72,100					
1,100 × 800	1,100	1,040				100			1,261	71,900	75,400					
1,200 × 800	1,200	1,140				120			1,426	75,300	78,700					
1,300 × 800	1,300	1,240				140			1,613	78,600	82,100					
1,400 × 800	1,400	1,340				150			1,764	81,800	85,300					
1,500 × 800	1,500	1,440				160			1,905	85,200	88,600					
1,600 × 800	1,600	1,540				170			2,059	88,500	92,000					
1,700 × 800	1,700	1,640				180			2,233	91,800	95,300					
1,800 × 800	1,800	1,740				190			2,401	95,200	98,600					
900 × 900	900	820				900			110	110	110	80	80	1,337	76,300	79,800
1,000 × 900	1,000	920									110			1,398	79,600	83,100
1,100 × 900	1,100	1,020	110	1,449	83,000		86,400									
1,200 × 900	1,200	1,120	110	1,501	86,300		89,800									
1,300 × 900	1,300	1,220	130	1,689	89,700		93,100									
1,400 × 900	1,400	1,320	150	1,890	92,900		96,300									
1,500 × 900	1,500	1,420	160	2,031	96,200		99,700									
1,600 × 900	1,600	1,520	180	2,280	99,500		103,000									
1,700 × 900	1,700	1,620	190	2,444	102,000		106,000									
1,800 × 900	1,800	1,720	200	2,627	106,000		109,000									
900 × 1,000	900	820	1,000	120	120		120	100			100			1,595	88,300	91,700
1,000 × 1,000	1,000	920					120							1,651	91,000	94,500
1,100 × 1,000	1,100	1,020					120							1,712	93,800	97,200
1,200 × 1,000	1,200	1,120					120							1,764	96,600	100,000
1,300 × 1,000	1,300	1,220				120	1,820		99,300	102,000						
1,400 × 1,000	1,400	1,320				140	2,022		102,000	105,000						
1,500 × 1,000	1,500	1,420				160	2,237		104,000	108,000						
1,600 × 1,000	1,600	1,520				170	2,406		107,000	111,000						
1,700 × 1,000	1,700	1,620				190	2,655		110,000	113,000						
1,800 × 1,000	1,800	1,720				200	2,838		113,000	116,000						
1,900 × 1,000	1,900	1,820				210	3,020		115,000	119,000						
2,000 × 1,000	2,000	1,920				220	3,227		118,000	122,000						
1,000 × 1,100	1,000	910				1,100	140		140	140		100	100	2,055	113,000	116,000
1,100 × 1,100	1,100	1,010								140				2,120	114,000	118,000
1,200 × 1,100	1,200	1,110	140	2,190	116,000			120,000								
1,300 × 1,100	1,300	1,210	140	2,251	118,000			121,000								
1,400 × 1,100	1,400	1,310	140	2,322	120,000			123,000								
1,500 × 1,100	1,500	1,410	140	2,383	122,000			125,000								
1,600 × 1,100	1,600	1,510	150	2,528	123,000			127,000								
1,700 × 1,100	1,700	1,610	170	2,782	125,000			129,000								
1,800 × 1,100	1,800	1,710	180	2,950	127,000			130,000								
1,900 × 1,100	1,900	1,810	200	3,236	129,000			132,000								
2,000 × 1,100	2,000	1,910	210	3,433	131,000			134,000								
1,000 × 1,200	1,000	900	1,200	150	150			150		100	100			2,331	115,000	119,000
1,100 × 1,200	1,100	1,000						150						2,397	118,000	122,000
1,200 × 1,200	1,200	1,100						150						2,472	121,000	124,000
1,300 × 1,200	1,300	1,200				150	2,538	124,000	127,000							
1,400 × 1,200	1,400	1,300				150	2,612	126,000	130,000							
1,500 × 1,200	1,500	1,400				150	2,683	129,000	133,000							
1,600 × 1,200	1,600	1,500				150	2,749	132,000	135,000							
1,700 × 1,200	1,700	1,600				160	2,908	135,000	138,000							
1,800 × 1,200	1,800	1,700				180	3,166	138,000	141,000							
1,900 × 1,200	1,900	1,800				190	3,359	140,000	144,000							
2,000 × 1,200	2,000	1,900				210	3,654	143,000	146,000							

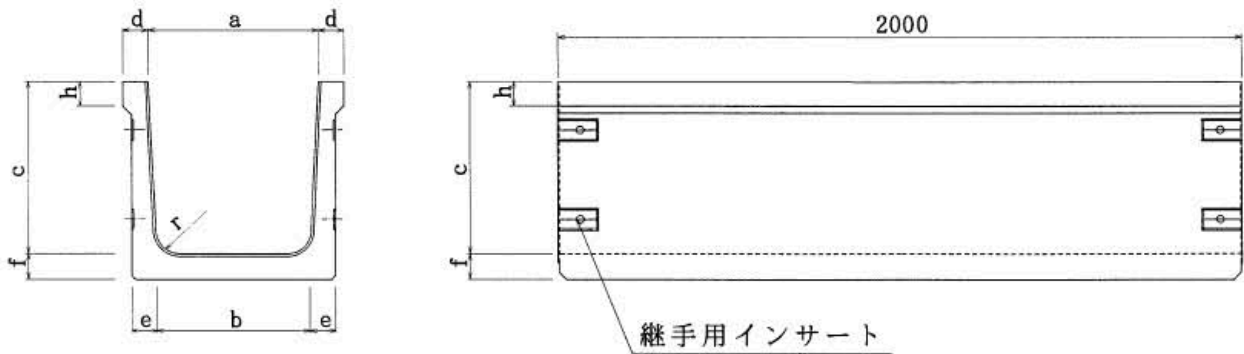
浮力対応型フリューム											
呼び名 幅(a)×深さ(c)	寸法(mm)								参考質量 (kg)	価格(円)	
	a	b	c	d	e	f	h	r		排水路	用水路
1,000 × 1,300	1,000	890	1,300	150	150	150	100	100	2,406	125,000	129,000
1,100 × 1,300	1,100	990				150			2,472	128,000	132,000
1,200 × 1,300	1,200	1,090				150			2,547	131,000	135,000
1,300 × 1,300	1,300	1,190				150			2,618	134,000	138,000
1,400 × 1,300	1,400	1,290				150			2,688	137,000	141,000
1,500 × 1,300	1,500	1,390				150			2,758	140,000	144,000
1,600 × 1,300	1,600	1,490				150			2,823	143,000	147,000
1,700 × 1,300	1,700	1,590				170			3,077	146,000	150,000
1,800 × 1,300	1,800	1,690				190			3,345	149,000	153,000
1,900 × 1,300	1,900	1,790				210			3,621	152,000	156,000
2,000 × 1,300	2,000	1,890	230	3,926	155,000	159,000					
1,000 × 1,400	1,000	870	1,400	155	155	155	100	100	2,556	133,000	137,000
1,100 × 1,400	1,100	970				155			2,632	136,000	140,000
1,200 × 1,400	1,200	1,070				155			2,702	140,000	143,000
1,300 × 1,400	1,300	1,170				155			2,777	143,000	146,000
1,400 × 1,400	1,400	1,270				155			2,847	146,000	149,000
1,500 × 1,400	1,500	1,370				155			2,922	149,000	153,000
1,600 × 1,400	1,600	1,470				155			2,993	152,000	156,000
1,700 × 1,400	1,700	1,570				175			3,236	156,000	159,000
1,800 × 1,400	1,800	1,670				195			3,504	159,000	162,000
1,900 × 1,400	1,900	1,770				215			3,794	162,000	165,000
2,000 × 1,400	2,000	1,870	235	4,095	165,000	169,000					
1,000 × 1,500	1,000	860	1,500	160	160	160	100	100	2,749	140,000	144,000
1,100 × 1,500	1,100	960				160			2,829	144,000	147,000
1,200 × 1,500	1,200	1,060				160			2,899	148,000	151,000
1,300 × 1,500	1,300	1,160				160			2,978	151,000	155,000
1,400 × 1,500	1,400	1,260				160			3,049	155,000	159,000
1,500 × 1,500	1,500	1,360				160			3,128	159,000	162,000
1,600 × 1,500	1,600	1,460				160			3,199	163,000	166,000
1,700 × 1,500	1,700	1,560				170			3,363	166,000	170,000
1,800 × 1,500	1,800	1,660				200			3,720	170,000	173,000
1,900 × 1,500	1,900	1,760				220			4,005	174,000	177,000
2,000 × 1,500	2,000	1,860	240	4,315	178,000	181,000					

※排水路…連結無し、50φ穴2箇所、NKフィルター50F 2個付

※用水路…連結有り、50φ穴2箇所、NKフィルター50F 2個付、ウィーブホール2個付

ジョイントフリーム (JF)

NUJ工法



※反転(施工状態の向き)での納入も可能です。

ジョイントフリーム (JF) 連結式フリーム

呼び名	寸法 (mm)										参考質量 (kg)	価格 (円)
	幅 (a) × 深さ (c)	a	b	c	d	e	f	g	h	r		
JF 300 × 300	300 × 300	300	260	300	60	60	60	380	50	50	263	14,100
300 × 400	300 × 400	300	250					380			328	16,600
400 × 400	400 × 400	400	350					480			357	18,000
500 × 400	500 × 400	500	450	400	60	65	65	580	50	50	384	26,500
600 × 400	600 × 400	600	550					680			422	27,900
700 × 400	700 × 400	700	650					780			446	29,300
800 × 400	800 × 400	800	750					880			478	30,700
JF 450 × 450	450 × 450	450	410	450	65	65	65	540	50	70	431	22,400
JF 300 × 500	300 × 500	300	250					400			464	23,400
400 × 500	400 × 500	400	350					500			498	26,500
500 × 500	500 × 500	500	450					600			539	28,500
600 × 500	600 × 500	600	550	500	75	75	75	700	70	70	568	30,400
700 × 500	700 × 500	700	650					800			605	32,000
800 × 500	800 × 500	800	750					900			638	34,000
900 × 500	900 × 500	900	850					1,000			675	35,700
1,000 × 500	1,000 × 500	1,000	950					1,100			709	37,600
JF 500 × 600	500 × 600	500	450					620			689	34,600
600 × 600	600 × 600	600	550					720			727	35,100
700 × 600	700 × 600	700	650					820			765	37,400
800 × 600	800 × 600	800	750	600	85	85	85	920	70	70	807	39,500
900 × 600	900 × 600	900	850					1,020			849	41,600
1,000 × 600	1,000 × 600	1,000	950					1,120			882	43,800
1,100 × 600	1,100 × 600	1,100	1,050					1,220			929	45,500
1,200 × 600	1,200 × 600	1,200	1,150					1,320			967	47,300
JF 700 × 700	700 × 700	700	640					840			994	47,100
800 × 700	800 × 700	800	740					940			1,041	49,600
900 × 700	900 × 700	900	840					1,040			1,089	52,000
1,000 × 700	1,000 × 700	1,000	940	700	100	100	100	1,140	80	80	1,131	54,500
1,100 × 700	1,100 × 700	1,100	1,040					1,240			1,182	56,200
1,200 × 700	1,200 × 700	1,200	1,140					1,340			1,225	58,800
1,300 × 700	1,300 × 700	1,300	1,240					1,440			1,272	61,600
1,400 × 700	1,400 × 700	1,400	1,340					1,540			1,323	63,700
JF 700 × 800	700 × 800	700	640					840			1,074	54,200
800 × 800	800 × 800	800	740					940			1,121	55,500
900 × 800	900 × 800	900	840	800	105	100	100	1,040	80	80	1,163	57,600
1,000 × 800	1,000 × 800	1,000	940					1,140			1,210	60,200
1,100 × 800	1,100 × 800	1,100	1,040					1,240			1,261	62,700

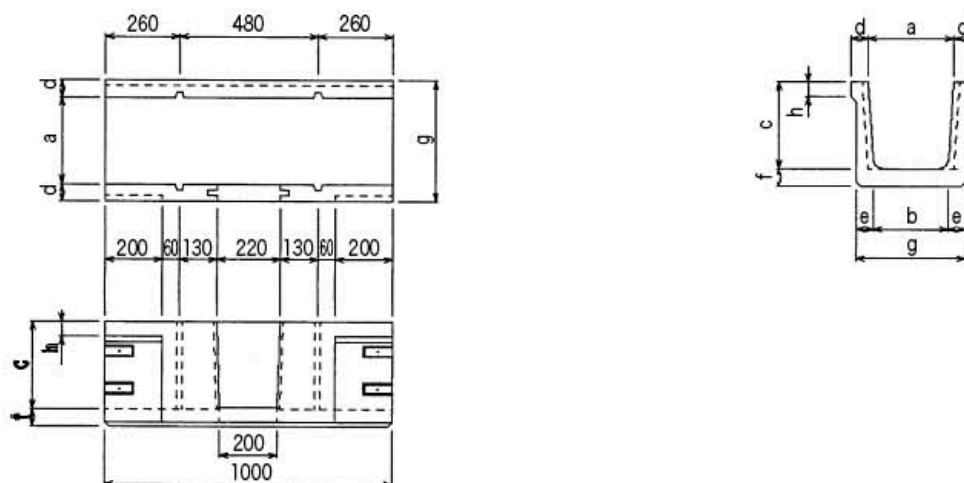
ジョイントフリーム (JF) 連結式フリーム											
呼び名 幅(a)×深さ(c)	寸法 (mm)									参考質量 (kg)	価格 (円)
	a	b	c	d	e	f	g	h	r		
JF 1,200 × 800	1,200	1,140	800	105	100	100	1,340	80	80	1,304	65,500
1,300 × 800	1,300	1,240					1,440			1,351	68,600
1,400 × 800	1,400	1,340					1,540			1,402	70,900
1,500 × 800	1,500	1,440					1,640			1,449	73,800
1,600 × 800	1,600	1,540					1,740			1,492	76,300
1,700 × 800	1,700	1,640					1,840			1,543	77,600
1,800 × 800	1,900	1,740					1,940			1,590	80,200
JF 900 × 900	900	820					900			110	110
1,000 × 900	1,000	920	1,140	1,398	71,500						
1,100 × 900	1,100	1,020	1,240	1,449	74,500						
1,200 × 900	1,200	1,120	1,340	1,501	77,200						
1,300 × 900	1,300	1,220	1,440	1,543	78,200						
1,400 × 900	1,400	1,320	1,540	1,595	83,000						
1,500 × 900	1,500	1,420	1,640	1,647	84,400						
1,600 × 900	1,600	1,520	1,740	1,698	89,200						
1,700 × 900	1,700	1,620	1,840	1,750	92,100						
1,800 × 900	1,800	1,720	1,940	1,801	94,800						
JF 900 × 1,000	900	820	1,000	120	120	120	1,060	100	100	1,595	80,000
1,000 × 1,000	1,000	920					1,160			1,651	82,100
1,100 × 1,000	1,100	1,020					1,260			1,712	84,900
1,200 × 1,000	1,200	1,120					1,360			1,764	87,800
1,300 × 1,000	1,300	1,220					1,460			1,820	90,600
1,400 × 1,000	1,400	1,320					1,560			1,876	93,600
1,500 × 1,000	1,500	1,420					1,660			1,932	97,200
1,600 × 1,000	1,600	1,520					1,760			1,993	99,300
1,700 × 1,000	1,700	1,620					1,860			2,045	102,000
1,800 × 1,000	1,800	1,720					1,960			2,102	106,000
1,900 × 1,000	1,900	1,820					2,060			2,158	109,000
2,000 × 1,000	2,000	1,920					2,160			2,214	111,000
JF 1,000 × 1,100	1,000	910	1,100	140	140	140	1,190	100	100	2,055	102,000
1,100 × 1,100	1,100	1,010					1,290			2,120	103,000
1,200 × 1,100	1,200	1,110					1,390			2,190	105,000
1,300 × 1,100	1,300	1,210					1,490			2,251	109,000
1,400 × 1,100	1,400	1,310					1,590			2,322	110,000
1,500 × 1,100	1,500	1,410					1,690			2,383	113,000
1,600 × 1,100	1,600	1,510					1,790			2,448	116,000
1,700 × 1,100	1,700	1,610					1,890			2,519	119,000
1,800 × 1,100	1,800	1,710					1,990			2,580	120,000
1,900 × 1,100	1,900	1,810					2,090			2,650	124,000
2,000 × 1,100	2,000	1,910					2,190			2,711	126,000
JF 1,000 × 1,200	1,000	900					1,200			150	150
1,100 × 1,200	1,100	1,000	1,300	2,397	107,000						
1,200 × 1,200	1,200	1,100	1,400	2,472	116,000						
1,300 × 1,200	1,300	1,200	1,500	2,538	120,000						
1,400 × 1,200	1,400	1,300	1,600	2,612	121,000						
1,500 × 1,200	1,500	1,400	1,700	2,683	124,000						
1,600 × 1,200	1,600	1,500	1,800	2,749	128,000						
1,700 × 1,200	1,700	1,600	1,900	2,823	129,000						
1,800 × 1,200	1,800	1,700	2,000	2,890	132,000						
1,900 × 1,200	1,900	1,800	2,100	2,964	135,000						
2,000 × 1,200	2,000	1,900	2,200	3,035	136,000						
JF 1,000 × 1,300	1,000	890	1,300	150	150	150		1,190	100		
1,100 × 1,300	1,100	990					1,290	2,472		115,000	
1,200 × 1,300	1,200	1,090					1,390	2,547		118,000	
1,300 × 1,300	1,300	1,190					1,490	2,618		122,000	
1,400 × 1,300	1,400	1,290					1,590	2,688		125,000	
1,500 × 1,300	1,500	1,390					1,690	2,758		129,000	

ジョイントフリーム (JF) 連結式フリーム

呼び名 幅(a)×深さ(c)	寸 法 (mm)									参考質量 (kg)	価 格 (円)
	a	b	c	d	e	f	g	h	r		
JF 1,600 × 1,300	1,600	1,490	1,300	150	150	150	1,790	100	100	2,823	131,000
1,700 × 1,300	1,700	1,590					1,890			2,899	133,000
1,800 × 1,300	1,800	1,690					1,990			2,969	136,000
1,900 × 1,300	1,900	1,790					2,090			3,040	137,000
2,000 × 1,300	2,000	1,890					2,190			3,110	140,000
JF 1,000 × 1,400	1,000	870	1,400	155	155	155	1,180	100	100	2,556	120,000
1,100 × 1,400	1,100	970					1,280			2,632	122,000
1,200 × 1,400	1,200	1,070					1,380			2,702	125,000
1,300 × 1,400	1,300	1,170					1,480			2,777	128,000
1,400 × 1,400	1,400	1,270					1,580			2,847	131,000
1,500 × 1,400	1,500	1,370					1,680			2,922	133,000
1,600 × 1,400	1,600	1,470					1,780			2,993	137,000
1,700 × 1,400	1,700	1,570					1,880			3,067	138,000
1,800 × 1,400	1,800	1,670					1,980			3,138	142,000
1,900 × 1,400	1,900	1,770					2,080			3,213	147,000
2,000 × 1,400	2,000	1,870	2,180	3,283	149,000						
JF 1,000 × 1,500	1,000	860	1,500	160	160	160	1,180	100	100	2,749	126,000
1,100 × 1,500	1,100	960					1,280			2,829	129,000
1,200 × 1,500	1,200	1,060					1,380			2,899	132,000
1,300 × 1,500	1,300	1,160					1,480			2,978	135,000
1,400 × 1,500	1,400	1,260					1,580			3,049	138,000
1,500 × 1,500	1,500	1,360					1,680			3,128	140,000
1,600 × 1,500	1,600	1,460					1,780			3,199	143,000
1,700 × 1,500	1,700	1,560					1,980			3,278	144,000
1,800 × 1,500	1,800	1,660					2,080			3,349	147,000
1,900 × 1,500	1,900	1,760					2,180			3,429	151,000
2,000 × 1,500	2,000	1,860	2,280	3,500	154,000						

注1) 上記規格以外についてはご相談下さい。

ジョイントフリーム用分水

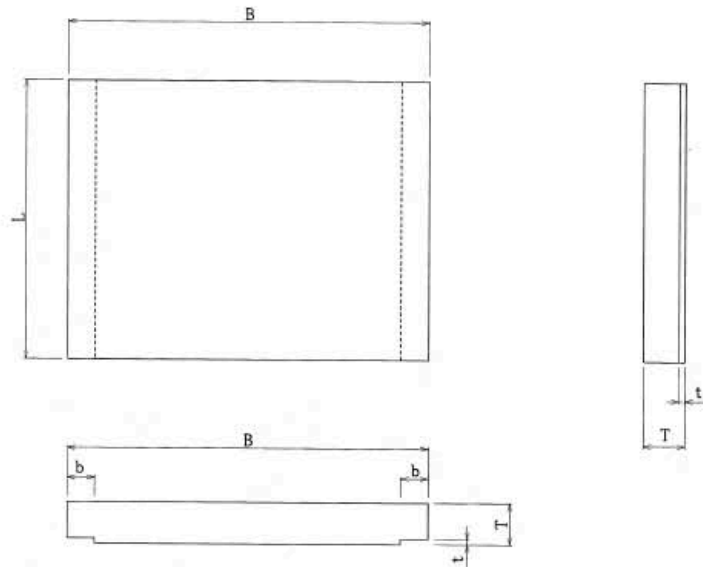


ジョイントフリーム用分水

呼び名 幅(a)×深さ(c)	寸 法 (mm)									参考質量 (kg)	価 格 (円)
	a	b	c	d	e	f	g	h	L		
300 × 300	300	260	300	60	60	60	380	50	1,000	122	14,100
300 × 400	300	250	400	60	65	65	380	50		153	16,600
400 × 400	400	350	400	60	65	65	480	50		168	18,000
500 × 500	500	450	500	75	75	75	600	70		249	28,500
600 × 600	600	550	600	85	85	85	720	70		339	35,100
700 × 600	700	650	600	85	85	85	820	70		359	37,400

ジョイントフリーウム用ふた (JFC)

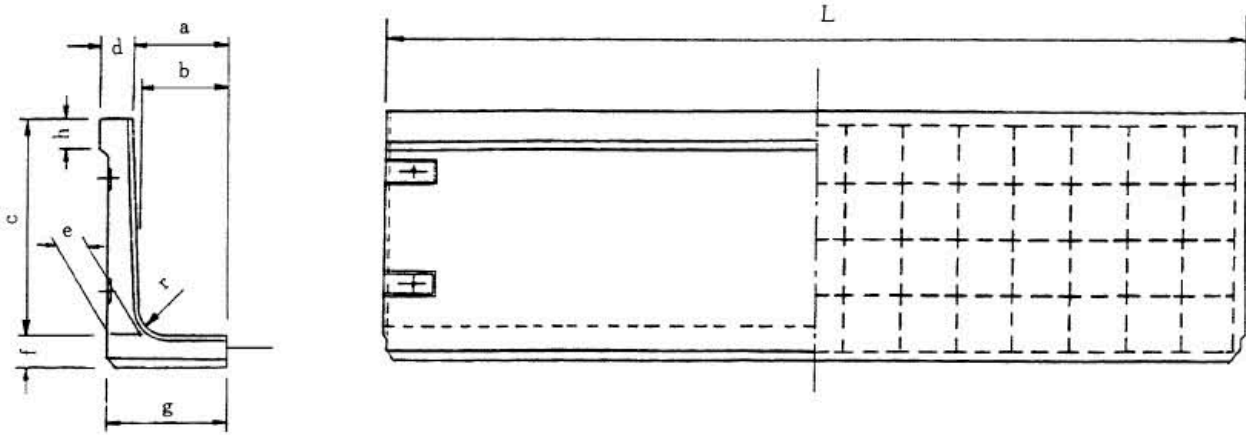
※ソケットフリーウム用ふたとしても使用します。



ジョイントフリーウム用ふた (JFC)										
呼び名	寸法 (mm)						参考質量 (kg)		価格 (円)	
	B	b	T		t	L	T-14	T-6	T-14	T-6
			T-14	T-6						
JFC 300	420	65	90	80	10	1,000	90	79	5,650	5,100
400	520	65	100	80			125	99	8,000	6,210
450	580	70	110	90			153	125	9,660	8,000
500	650	80	120	90			187	140	12,400	9,520
600	770	90	120	100			222	185	14,400	11,310
700	900	105	130	100			282	216	16,300	12,500
800	1,000	105	130	100			314	240	18,800	14,800
900	1,100	105	140	110			372	292	20,400	16,600
1000	1,200	105	150	110			436	319	23,200	17,900
1100	1,300	110	150	110			468	341	25,100	19,400
1200	1,400	110	150	120	505	402	29,900	24,200		
1300	1,500	110	160	120	578	431	32,000	26,200		
1400	1,600	110	160	120	617	461	34,100	27,900		
1500	1,700	110	170	130	698	532	37,300	29,600		
1600	1,800	115	170	130	740	564	43,400	35,300		
1700	1,900	115		130		595		37,200		
1800	2,000	115	180	130	872	627	48,300	39,100		
2000	2,200	115	180	140	960	745	51,500	40,000		

ジョイントフリーウム用ふた (アートJFC) ※アート模様付、T-14							
呼び名	寸法 (mm)					参考質量 (kg)	価格 (円)
	B	b	T	t	L		
アートJFC 2000	2,200	115	180	20	1,000	903	51,500
					2,000	1,806	103,000

ジョイントL形フリューム (JFL)



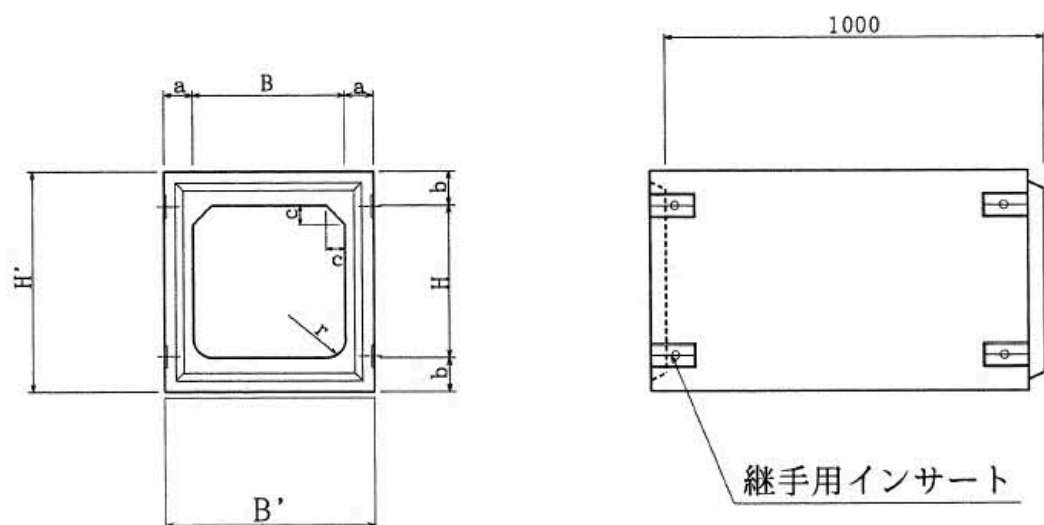
ジョイントL形フリューム (JFL)												(連結式L形フリューム)	
呼び名	種別	寸法 (mm)										参考質量 (kg)	価格 (円)
		a	b	c	d	e	f	g	h	r	l		
ジョイントL形フリューム	JFL 300	150	130	300	60	60	60	190	50	50	2000	136	9,660
	400	200	175	400	"	65	65	240	"	"	"	178	12,400
	500	250	225	500	75	75	75	300	70	70	"	272	17,300
	600	300	275	600	85	85	85	360	"	"	"	366	20,200
	700	350	320	700	100	100	100	420	80	80	"	498	28,200
	800	400	370	800	105	"	"	470	"	"	"	581	34,000
	900	450	410	900	110	110	110	520	"	"	"	671	40,400
	1000	500	460	1000	120	120	120	580	100	100	"	826	48,500
	1100	550	505	1100	140	140	140	645	"	"	"	1,065	59,400
	1200	600	550	1200	150	150	150	700	"	"	"	1,238	67,200
	1300	650	595	1300	"	"	"	745	"	"	"	1,308	68,000
	1400	700	635	1400	155	155	155	790	"	"	"	1,421	72,400
	1500	750	680	1500	160	160	160	840	"	"	"	1,562	80,000

備考

- ・現場車上渡
但し現場状況により別途運賃を頂く場合があります。
- ・継手部材・目地材付
- ・カーブ・流入口等異型品は別途価格です。
- ・規格外については御相談下さい。
- ・現場状況により、底版の張り出し寸法 (a, b, g) は都度計算させていただきます。

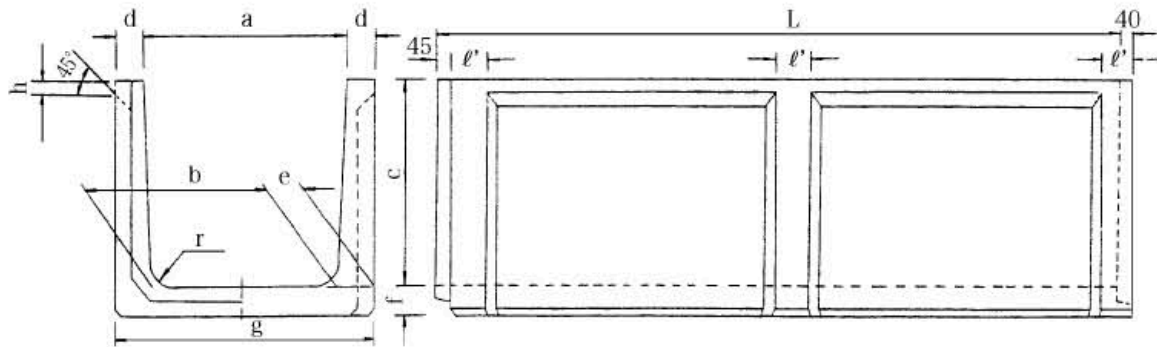
ジョイントカルバート (JC)

NUJ工法



ジョイントカルバート (JC) 連結式暗渠									
呼び名	寸法 (mm)				参考質量 (kg)	価格 (円)			備考
	a	b	c	r		T-20	T-14	T-6	
JC 300 × 300	60	75	40	50	249	18,600	17,500	16,200	継手部材・目地材含む
350 × 350	70	80	40		318	24,300	23,100	20,900	
400 × 400	75	90	50		398	28,900	27,600	25,100	
450 × 450	75	95	50	70	456	31,900	30,400	27,200	
500 × 500	80	100	60		533	36,800	34,900	31,700	
550 × 550	90	105	60		632	45,500	42,500	38,600	
600 × 600	90	115	70		721	49,700	47,300	40,300	
650 × 650	100	120	70	80	835	53,800	51,100	43,900	
700 × 700	110	125	80		963	59,300	57,200	50,100	
800 × 800	110	140	80		1,153	70,700	67,200	59,600	
900 × 900	130	150	100	100	1,457	91,500	87,100	76,900	
1000 × 1000	140	165	100		1,755	106,000	100,900	89,200	

ソケットフリューム (SF)



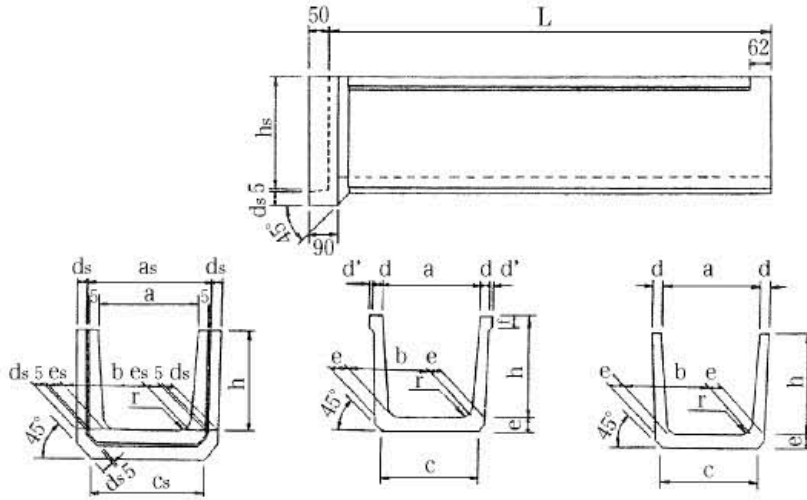
※反転（施工状態の向き）で納入となります。
 ※ふたはP183に記載しています。

ソケットフリューム (SF)		(ソケット式フリューム)											参考質量 (kg)	価格 (円)
呼び名	種別 a × c	寸法 (mm)												
		a	b	c	d	e	f	g	h	ℓ	ℓ'	r		
ソケットフリューム	SF 400 × 500	400	350	500	75	100	75	550	40	2000	100	70	448	24,200
	500 × 500	500	450	500	75	100	75	650	40	2000	100	70	493	26,200
	600 × 500	600	550	500	75	100	75	750	40	2000	100	70	521	28,000
	700 × 500	700	650	500	75	100	75	850	40	2000	100	70	559	29,700
	800 × 500	800	750	500	75	100	75	950	40	2000	100	70	588	31,700
	900 × 500	900	850	500	75	100	75	1050	40	2000	100	70	626	33,400
	1000 × 500	1000	950	500	75	100	75	1150	40	2000	100	70	661	35,300
	SF 400 × 600	400	350	600	85	110	85	570	40	2000	100	70	549	27,600
	500 × 600	500	450	600	85	110	85	670	40	2000	100	70	590	30,400
	600 × 600	600	550	600	85	110	85	770	40	2000	100	70	628	32,000
700 × 600	700	650	600	85	110	85	870	40	2000	100	70	666	34,600	
800 × 600	800	750	600	85	110	85	970	40	2000	100	70	712	36,500	
900 × 600	900	850	600	85	110	85	1070	40	2000	100	70	753	38,400	
1000 × 600	1000	950	600	85	110	85	1170	40	2000	100	70	784	40,800	
1100 × 600	1100	1050	600	85	110	85	1270	40	2000	100	70	833	42,400	
1200 × 600	1200	1150	600	85	110	85	1370	40	2000	100	70	871	44,100	
SF 500 × 700	500	440	700	100	130	100	700	45	2000	100	80	754	38,700	
600 × 700	600	540	700	100	130	100	800	45	2000	100	80	792	40,800	
700 × 700	700	640	700	100	130	100	900	45	2000	100	80	844	43,000	
800 × 700	800	740	700	100	130	100	1000	45	2000	100	80	894	45,100	
900 × 700	900	840	700	100	130	100	1100	45	2000	100	80	934	47,300	
1000 × 700	1000	940	700	100	130	100	1200	45	2000	100	80	983	49,900	
1100 × 700	1100	1040	700	100	130	100	1300	45	2000	100	80	1,034	52,400	
1200 × 700	1200	1140	700	100	130	100	1400	45	2000	100	80	1,074	54,800	
1300 × 700	1300	1240	700	100	130	100	1500	45	2000	100	80	1,124	59,100	
1400 × 700	1400	1340	700	100	130	100	1600	45	2000	100	80	1,175	60,800	
SF 600 × 800	600	540	800	105	135	100	810	45	2000	100	80	924	47,300	
700 × 800	700	640	800	105	135	100	910	45	2000	100	80	976	50,000	
800 × 800	800	740	800	105	135	100	1010	45	2000	100	80	1,023	52,500	
900 × 800	900	840	800	105	135	100	1110	45	2000	100	80	1,067	55,300	
1000 × 800	1000	940	800	105	135	100	1210	45	2000	100	80	1,111	57,900	
1100 × 800	1100	1040	800	105	135	100	1310	45	2000	100	80	1,162	60,400	
1200 × 800	1200	1140	800	105	135	100	1410	45	2000	100	80	1,208	63,200	
1300 × 800	1300	1240	800	105	135	100	1510	45	2000	100	80	1,253	66,300	
1400 × 800	1400	1340	800	105	135	100	1610	45	2000	100	80	1,304	68,600	
1500 × 800	1500	1440	800	105	135	100	1710	45	2000	100	80	1,351	71,500	
1600 × 800	1600	1540	800	105	135	100	1810	45	2000	100	80	1,393	74,000	

呼び名	種別 a × c	寸法 (mm)											参考質量 (kg)	価格 (円)
		a	b	c	d	e	f	g	h	ℓ	ℓ'	r		
ソケットフリューム	S F 600 × 900	600	520	900	110	150	110	820	50	2000	100	80	1,086	58,100
	700 × 900	700	620	900	110	150	110	920	50	2000	100	80	1,138	60,700
	800 × 900	800	720	900	110	150	110	1020	50	2000	100	80	1,189	63,400
	900 × 900	900	820	900	110	150	110	1120	50	2000	100	80	1,240	66,300
	1000 × 900	1000	920	900	110	150	110	1220	50	2000	100	80	1,293	69,200
	1100 × 900	1100	1020	900	110	150	110	1320	50	2000	100	80	1,344	72,200
	1200 × 900	1200	1120	900	110	150	110	1420	50	2000	100	80	1,396	74,900
	1300 × 900	1300	1220	900	110	150	110	1520	50	2000	100	80	1,447	77,700
	1400 × 900	1400	1320	900	110	150	110	1620	50	2000	100	80	1,498	80,700
	1500 × 900	1500	1420	900	110	150	110	1720	50	2000	100	80	1,551	82,100
	1600 × 900	1600	1520	900	110	150	110	1820	50	2000	100	80	1,602	86,900
	1700 × 900	1700	1620	900	110	150	110	1920	50	2000	100	80	1,654	89,800
	1800 × 900	1800	1720	900	110	150	110	2020	50	2000	100	80	1,705	92,500
	S F 700 × 1000	700	620	1000	120	160	120	940	50	2000	100	100	1,281	69,800
800 × 1000	800	720	1000	120	160	120	1040	50	2000	100	100	1,340	71,900	
900 × 1000	900	820	1000	120	160	120	1140	50	2000	100	100	1,396	74,900	
1000 × 1000	1000	920	1000	120	160	120	1240	50	2000	100	100	1,449	78,000	
1100 × 1000	1100	1020	1000	120	160	120	1340	50	2000	100	100	1,513	81,100	
1200 × 1000	1200	1120	1000	120	160	120	1440	50	2000	100	100	1,564	84,200	
1300 × 1000	1300	1220	1000	120	160	120	1540	50	2000	100	100	1,618	86,900	
1400 × 1000	1400	1320	1000	120	160	120	1640	50	2000	100	100	1,677	90,800	
1500 × 1000	1500	1420	1000	120	160	120	1740	50	2000	100	100	1,733	94,900	
1600 × 1000	1600	1520	1000	120	160	120	1840	50	2000	100	100	1,794	97,000	
1700 × 1000	1700	1620	1000	120	160	120	1940	50	2000	100	100	1,846	100,000	
1800 × 1000	1800	1720	1000	120	160	120	2040	50	2000	100	100	1,900	103,000	
1900 × 1000	1900	1820	1000	120	160	120	2140	50	2000	100	100	1,958	106,000	
2000 × 1000	2000	1920	1000	120	160	120	2240	50	2000	100	100	2,014	109,000	
S F 800 × 1100	800	710	1100	140	185	140	1080	55	2000	100	100	1,625	80,300	
900 × 1100	900	810	1100	140	185	140	1180	55	2000	100	100	1,696	83,700	
1000 × 1100	1000	910	1100	140	185	140	1280	55	2000	100	100	1,757	86,900	
1100 × 1100	1100	1010	1100	140	185	140	1380	55	2000	100	100	1,822	90,300	
1200 × 1100	1200	1110	1100	140	185	140	1480	55	2000	100	100	1,890	93,600	
1300 × 1100	1300	1210	1100	140	185	140	1580	55	2000	100	100	1,954	97,000	
1400 × 1100	1400	1310	1100	140	185	140	1680	55	2000	100	100	2,024	100,000	
1500 × 1100	1500	1410	1100	140	185	140	1780	55	2000	100	100	2,082	103,000	
1600 × 1100	1600	1510	1100	140	185	140	1880	55	2000	100	100	2,148	107,000	
1700 × 1100	1700	1610	1100	140	185	140	1980	55	2000	100	100	2,222	110,000	
1800 × 1100	1800	1710	1100	140	185	140	2080	55	2000	100	100	2,282	113,000	
1900 × 1100	1900	1810	1100	140	185	140	2180	55	2000	100	100	2,352	117,000	
2000 × 1100	2000	1910	1100	140	185	140	2280	55	2000	100	100	2,414	120,000	
2100 × 1100	2100	2010	1100	140	185	140	2380	55	2000	100	100	2,480	123,000	
S F 900 × 1200	900	800	1200	150	200	150	1200	55	2000	100	100	1,945	88,000	
1000 × 1200	1000	900	1200	150	200	150	1300	55	2000	100	100	2,013	90,600	
1100 × 1200	1100	1000	1200	150	200	150	1400	55	2000	100	100	2,078	93,200	
1200 × 1200	1200	1100	1200	150	200	150	1500	55	2000	100	100	2,154	95,500	
1300 × 1200	1300	1200	1200	150	200	150	1600	55	2000	100	100	2,219	100,000	
1400 × 1200	1400	1300	1200	150	200	150	1700	55	2000	100	100	2,293	103,000	
1500 × 1200	1500	1400	1200	150	200	150	1800	55	2000	100	100	2,367	106,000	
1600 × 1200	1600	1500	1200	150	200	150	1900	55	2000	100	100	2,432	108,000	
1700 × 1200	1700	1600	1200	150	200	150	2000	55	2000	100	100	2,507	112,000	
1800 × 1200	1800	1700	1200	150	200	150	2100	55	2000	100	100	2,573	115,000	
1900 × 1200	1900	1800	1200	150	200	150	2200	55	2000	100	100	2,645	119,000	
2000 × 1200	2000	1900	1200	150	200	150	2300	55	2000	100	100	2,718	123,000	
2100 × 1200	2100	2000	1200	150	200	150	2400	55	2000	100	100	2,782	127,000	
2200 × 1200	2200	2100	1200	150	200	150	2500	55	2000	100	100	2,858	131,000	

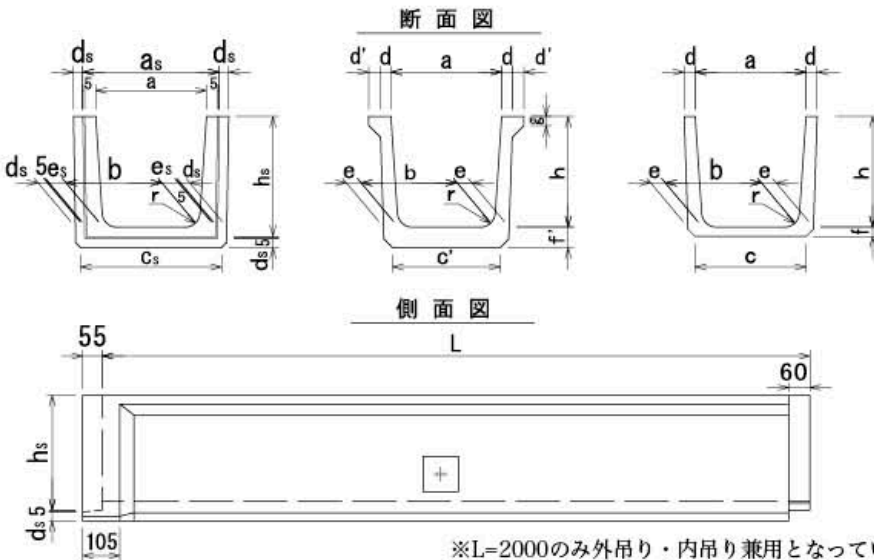
小型有 150mmサイズの小型製品もご用意しています。

ソケットフリューム (SF)



ソケットフリューム (SF)		(ソケット式フリューム)															参考質量 (kg)	価格 (円)
呼び名	種別 a × h	寸法 (mm)																
ソケットフリューム	SF 150 × 150	150	130	150	25	10	30	20	30	150	210	189	30	35	182	2000	75	5,520
	200 × 200	200	170	205	30	10	35	25	30	200	270	248	35	40	237	2000	112	5,980
	250 × 250	250	215	250	30	10	35	30	30	250	320	293	35	40	287	2000	126	8,390
	300 × 300	300	260	300	30	10	40	30	40	300	370	343	35	45	345	2000	164	10,500
	350 × 350	350	300	345	35	10	45	35	50	350	430	388	35	50	397	2000	220	12,700
	400 × 400	400	345	395	40	15	50	40	50	400	490	442	40	55	452	2000	272	15,400
	450 × 450	450	390	440	40	15	50	40	50	450	540	487	40	55	502	2000	305	19,500
	500 × 500	500	435	490	45	15	55	45	60	500	600	542	45	60	557	2000	380	26,200

ソケットフリューム (SF) アゴなしタイプ L=2000 L=4000



※L=2000のみ外吊り・内吊り兼用となっています。
 ※300サイズのみインサート部の壁厚が厚くなっています。

ソケットフリューム (SF) アゴなしタイプ		寸法 (mm)															参考質量 (kg)	価格 (円)			
呼び名	種別 a × h	a	b	c	c'	d	d'	e	f	f	g	r	h	as	cs	ds			es	hs	L
ソケットフリューム (SF) アゴなしタイプ	SF300 × 300	300	260	300	292	30	30	40	25	55	25	40	300	370	382	25	45	325	2,000	199	10,500
		300	260	300	292	30	30	40	25	55	25	40	300	370	382	25	45	325	4,000	393	21,100
	SF400 × 400	400	345	395	388	40	35	50	30	65	25	50	400	490	488	30	55	430	2,000	322	15,400
		400	345	395	388	40	35	50	30	65	25	50	400	490	488	30	55	430	4,000	635	30,800

注目製品 / 工法紹介

擁壁・法面用製品

環境・河川用製品

道路用製品

旧日本道路公団製製品

水路用製品

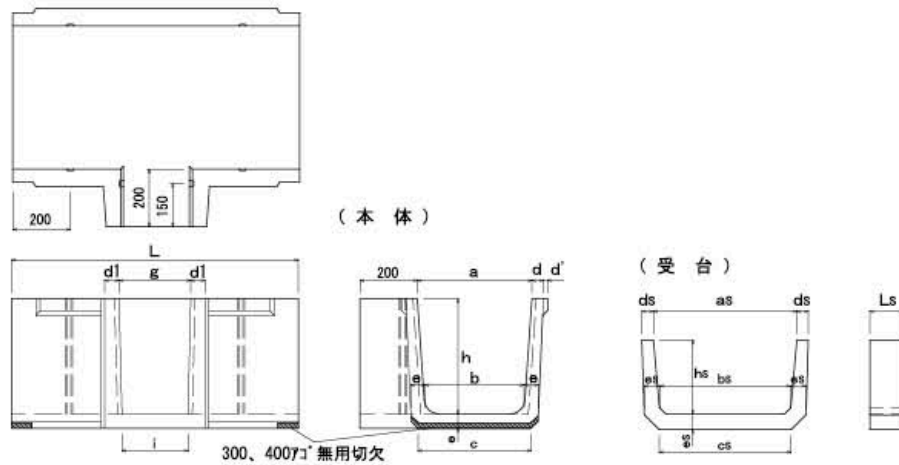
暗渠製品

その他製品

商

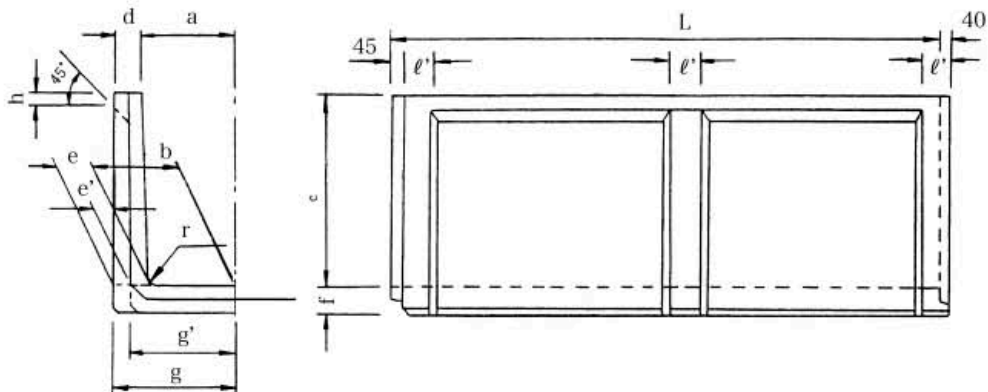
品

ソケットフリーウム用分水



ソケットフリーウム用分水		寸 法 (mm)																	本 体		受 台		合 計	
呼 び 名	種 別	a	b	c	d	d'	dl	e	g	h	i	r	ℓ	as	bs	cs	ds	es	hs	参考質量 (kg)	価 格 (円)	参考質量 (kg)	価 格 (円)	価 格 (円)
ソケットフリーウム用分水	200×200	200	170	205	30	10	35	35	250	200	230	30	1000	280	256	256	35	40	242	50	7,500	9	1,110	8,610
	250×250	250	215	250	30	10	35	35	250	250	230	30	1000	330	301	301	35	40	292	60	9,800	10	1,460	11,260
	300×300	300	260	300	30	10	40	40	250	300	230	40	1000	380	357	357	35	45	347	79	12,500	13	1,860	14,360
	350×350	350	300	345	35	10	45	45	250	350	230	50	1000	440	406	406	35	50	402	102	15,200	16	2,260	17,460
	400×400	400	345	395	40	15	50	50	250	400	230	50	1000	500	460	460	40	55	457	129	19,000	21	2,840	21,840
	450×450	450	390	440	40	15	50	50	250	450	230	50	1000	550	505	505	40	55	507	141	24,200	23	3,610	27,810
	500×500	500	435	490	45	15	55	55	250	500	230	60	1000	610	559	559	45	60	562	175	31,000	25	4,630	35,630

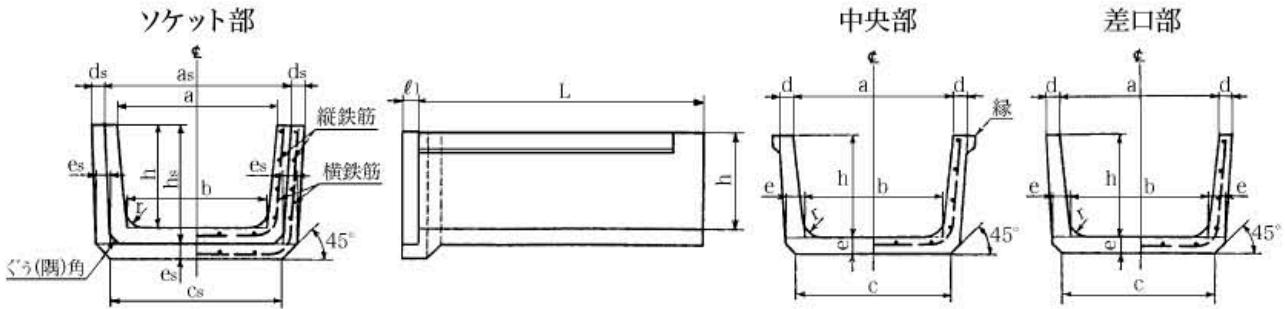
ソケットL形フリーウム (SFL)



ソケットL形フリーウム (SFL)		(ソケット式L形フリーウム)													参考質量 (kg)		価 格 (円)
呼 び 名	種 別	寸 法 (mm)											参考質量 (kg)		価 格 (円)		
		a	b	c	d	e	f	g	h	ℓ	ℓ'	r	参考質量 (kg)		価 格 (円)		
ソケットL形フリーウム	SFL 500	250	225	500	75	100	75	325	40	2000	100	70	252	15,100			
	600	300	275	600	85	110	85	385	40	2000	100	70	319	19,400			
	700	350	320	700	100	130	100	450	45	2000	100	80	431	26,500			
	800	400	370	800	105	135	100	505	45	2000	100	80	519	31,800			
	900	450	410	900	110	150	110	560	50	2000	100	80	633	39,500			
	1000	500	460	1000	120	160	120	620	50	2000	100	100	738	47,800			
	1100	550	505	1100	140	185	140	690	55	2000	100	100	929	58,600			
	1200	600	550	1200	150	200	150	750	55	2000	100	100	1,093	65,800			

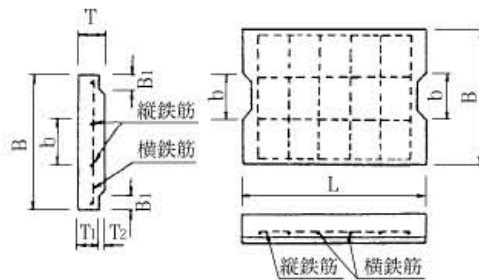
※現場状況により、底版の張り出し寸法 (a, b, g) は都度計算させていただきます。

鉄筋コンクリートベンチフリューム (BF)



鉄筋コンクリートベンチフリューム(BF)													JIS A 5372 附属書9	
呼び名	種別	寸法 (mm)											参考質量 (kg)	価格 (円)
		a	b	c	e	h	as	ds	es	hs	ℓ ₁	L		
鉄筋コンクリートベンチフリューム	200	200	170	205	35	150	275	35	35	186	60	2000	90	6,080
	250	250	215	250	〃	175	325	〃	〃	211	〃	〃	106	7,310
	300	300	260	300	40	200	375	〃	〃	241	〃	〃	136	9,130
	350	350	300	345	45	235	435	〃	〃	281	〃	〃	180	11,800
	400	400	345	395	50	260	495	40	40	311	〃	〃	228	15,100
	450	450	390	440	〃	295	545	〃	〃	346	〃	〃	254	16,500
	500	500	435	490	55	320	605	45	45	376	〃	〃	308	19,000
	550	550	475	535	60	355	655	〃	〃	416	〃	〃	352	23,100
	600	600	520	580	〃	380	705	〃	〃	441	〃	〃	378	26,300
	650	650	565	630	65	415	755	〃	〃	481	〃	〃	438	28,700
	700	700	610	680	70	440	815	50	50	511	〃	〃	508	32,200
	800	800	695	770	75	490	915	〃	〃	566	〃	〃	598	38,700
	900	900	785	870	85	550	1025	55	55	636	〃	〃	758	48,900
1000	1000	875	965	90	600	1125	〃	60	691	〃	〃	870	56,000	

鉄筋コンクリートベンチフリューム用ふた



鉄筋コンクリートベンチフリューム用ふた												
呼び名	種別	寸法 (mm)							参考質量 (kg)	個/m	価格 (円)	
		B	B ₁	T	T ₁	T ₂	b	L				
鉄筋コンクリートベンチフリューム用ふた 1種 (土被り 0 荷重 T-4)	200	280	45	40	35	5	75	1,000	27	1	1,880	
	250	330	〃	45	40	〃	90	〃	34	〃	2,460	
	300	380	〃	60	50	10	100	〃	52	〃	3,330	
	350	440	50	65	55	〃	120	500	32	2	2,460	
	400	510	60	〃	〃	〃	〃	〃	37	〃	2,590	
	450	560	〃	70	60	〃	〃	〃	44	〃	3,030	
	500	620	65	〃	〃	〃	〃	〃	48	〃	3,180	
	550	640	50	75	65	〃	〃	〃	53	〃	3,330	
	600	690	〃	〃	〃	〃	150	〃	58	〃	3,760	

注目製品 / 工法紹介

擁壁・法面用製品

環境・河川用製品

道路用製品

旧日本道路公団型製品

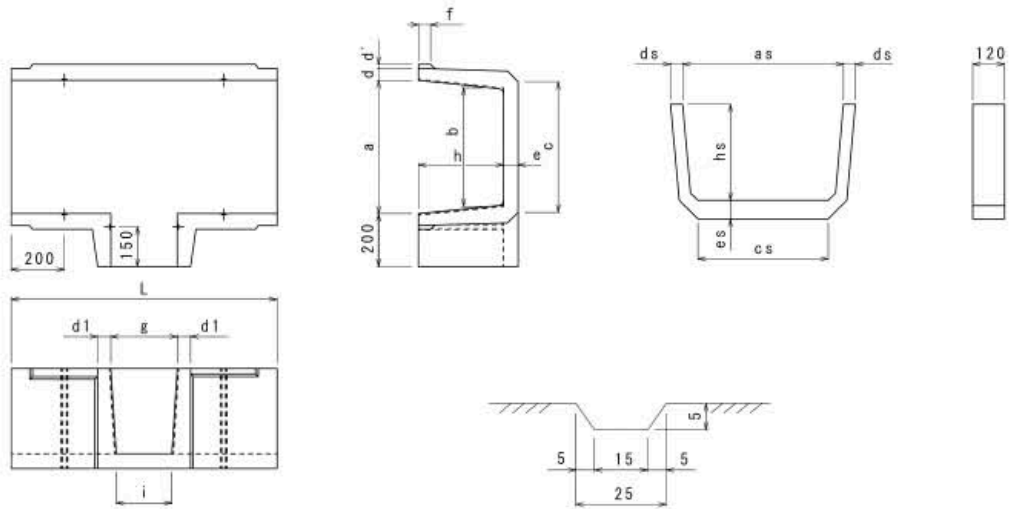
水路用製品

暗渠製品

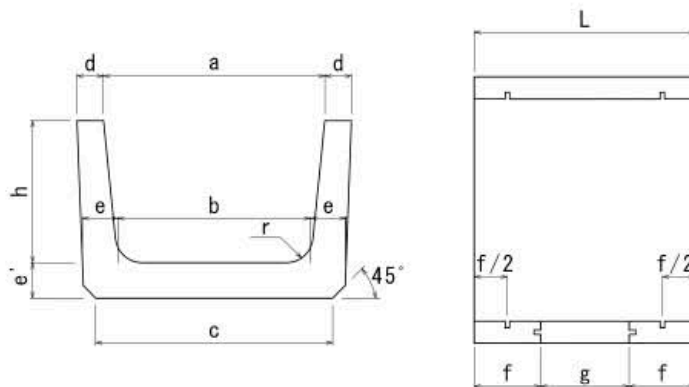
その他製品

商 品

鉄筋コンクリートベンチフリューム用分水

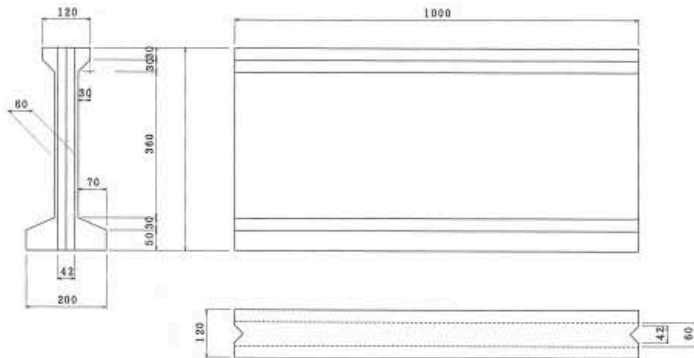


呼び名	種別	寸法 (mm)														本体		受台		合計 価格 (円)			
		a	b	c	d	d'	d ₁	e	f	g	h	i	r	L	as	ds	es	hs	参考質量 (kg)		価格 (円)	参考質量 (kg)	価格 (円)
分水	200	200	170	205	30	10	40	35	25	250	150	230	30	1000	275	35	40	191	46	4,600	7	710	5,310
	250	250	215	250	*	*	*	*	30	*	175	*	*	*	325	35	40	216	53	5,420	8	810	6,230
	300	300	260	300	*	*	*	40	*	*	200	*	40	*	375	35	40	246	68	6,770	9	920	7,690
	350	350	300	345	35	*	50	45	35	*	235	*	50	*	435	35	40	286	88	8,940	11	1,100	10,040
	400	400	345	395	40	15	*	50	40	*	260	*	*	*	495	40	45	316	112	11,210	14	1,320	12,530
	450	450	390	440	*	*	*	*	*	*	295	*	*	*	545	40	45	351	125	12,200	15	1,470	13,670
	500	500	435	490	45	*	*	55	45	*	320	*	60	*	605	45	50	381	150	14,300	19	1,810	16,110
	550	550	475	535	*	—	*	60	*	*	355	*	*	*	655	45	50	421	169	17,500	20	1,900	19,400
	600	600	520	580	*	—	*	*	*	*	380	*	*	*	705	45	50	446	181	19,800	22	2,200	22,000
	650	650	565	630	*	—	60	65	*	*	415	*	70	*	755	45	50	486	209	21,500	23	2,300	23,800



呼び名	種別	寸法 (mm)										参考質量 (kg)	価格 (円)
		a	b	c	d	e	e'	g	h	r	L		
分水	700	700	610	680	50	70	70	200	440	70	1000	237	23,400
	800	800	695	770	"	75	75	"	490	"	"	281	27,600
	900	900	785	870	55	85	85	"	550	80	"	356	34,500

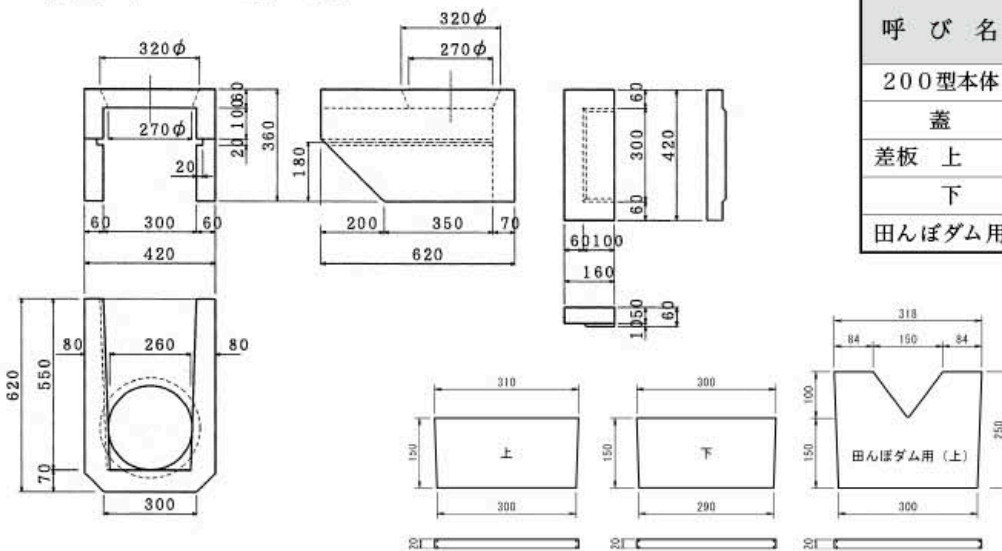
畦畔ブロック



畦畔ブロック500	
参考質量 (kg)	価格 (円)
120	4,970

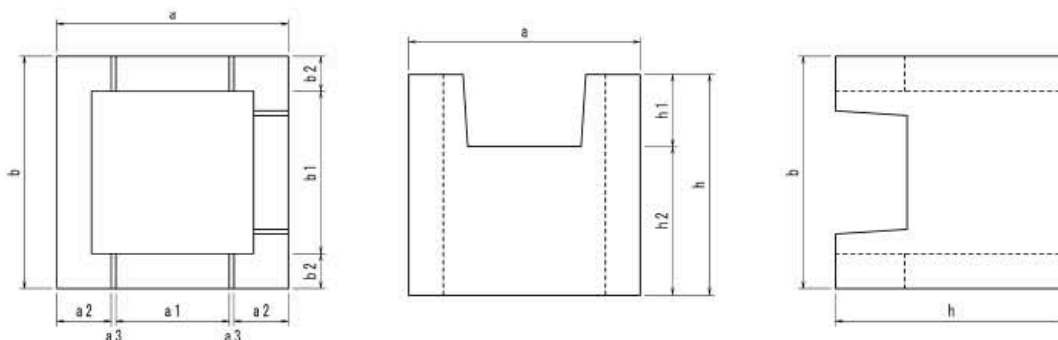
排水堰

排水堰200型 蓋



呼び名	参考質量 (kg)	価格 (円)
200型本体	94	11,700
蓋	10	1,310
差板 上	2	670
下	2	670
田んぼダム用	3	830

合流ボックス



合流ボックス (CB) ※底なし

呼び名	種別	寸法 (mm)										参考質量 (kg)	価格 (円)	備考
		a	a1	a2	a3	b	b1	b2	h	h1	h2			
合流ボックス	1号 CB-700	1,000	490	235	20	1,000	700	150	950	310	640	830	64,800	BF200~400
	2号 CB-800	1,100	620	220	20	1,100	800		1,050	415	635	930	79,200	BF450~550
	3号 CB-1000	1,300	770	240	25	1,300	1,000		1,250	510	640	1,380	111,600	BF600~700
	4号 CB-1200	1,500	1,070	185	30	1,500	1,200		1,450	690	760	1,590	145,200	BF800~1000